

PROPERTY MANAGER:
PER ARCHITECT / ENGINEER

DESIGN ENGINEER:
PVE, LLC
2000 GEORGETOWN DRIVE, SUITE 101
SEWICKLEY, PA 15143

<u>DRAWING LIST</u>	<u>LATEST REVISION</u>	<u>DATE</u>
T-100 - TITLE SHEET		
G-100 - GENERAL NOTES		
A-100 - VERTICAL BATTEN SPAN TABLES		
A-101 - VERTICAL BATTEN CONNECTION DETAILS		
A-200 - HORIZONTAL BATTEN SPAN TABLES		
A-201 - HORIZONTAL BATTEN CONNECTION DETAILS		
A-300 - MISC BATTEN CONNECTIONS		

ABBREVIATIONS:

ABV ABOVE
ACI AMERICAN CONCRETE INSTITUTE
ACIP AUGERED CAST-IN-PLACE PILES
ADD'L ADDITIONAL
AE AIR-ENTRAINED
AISC AMERICAN INSTITUTE OF STEEL CONSTRUCTION
ANSI AMERICAN NATIONAL STANDARDS INSTITUTE
APPROX APPROXIMATELY
AR ANCHOR ROD
ARCH ARCHITECTURAL
ASCE AMERICAN SOCIETY OF CIVIL ENGINEERS
ASTM AMERICAN SOCIETY FOR TESTING & MATERIALS
AWS AMERICAN WELDING SOCIETY
B BOTTOM
B/ BOTTOM OF
BH BULKHEAD
BLDG BUILDING
BM BEAM
BOT BOTTOM
CJP COMPLETE JOINT PENETRATION
CLR CLEAR

ABBREVIATIONS (CONT.):

CLSM CONTROLLED LOW STRENGTH MATERIAL
CMU CONCRETE MASONRY UNIT
CO CLEAN OUT
COL COLUMN
CONC CONCRETE
CONT CONTINUOUS
COORD COORDINATE
COTR CONTRACTING OFFICER'S TECHNICAL REPRESENTATIVE
db REINFORCING BAR DIAMETER
DIA DIAMETER
DN DOWN
DTLS DETAILS
DWG DRAWING
DWLS DOWELS
E EXISTING
EA EACH
EF EACH FACE
EL ELEVATION
ELECT ELECTRICAL
ELEV ELEVATOR
EMBED EMBEDMENT

ABBREVIATIONS (CONT.):

EOS EDGE OF SLAB
EQ EQUAL
EQUIP EQUIPMENT
EW EACH WAY
EXIST EXISTING
EXP EXPANSION
FT FOOT/FEET
FTG FOOTING
FE FIRE ESCAPE
GALV GALVANIZE
GL GRIDLINE
H HIGH
HORIZ HORIZONTAL
HP HIGH POINT
HS HIGH STRENGTH
HSA HEADED SHEAR ANCHOR
IN INCH(ES)
IP INFLECTION POINT
I.F. INSIDE FACE
JT JOINT
K KIPS (1000 POUNDS)

ABBREVIATIONS (CONT.):

KN KILONEWTON
kPa KILOPASCAL
l LITER
L LENGTH
LBS POUNDS
Ld REINF BAR DEVELOPMENT LENGTH
LLH LONG LEG HORIZ
LLV LONG LEG VERT
LP LOW POINT
LTWT LIGHT WEIGHT
m METER
mm MILLIMETER
MAX MAXIMUM
MANUF MANUFACTURER
MECH MECHANICAL
MEP MECH/ELECT/PLUMBING
MIN MINIMUM
MPa MEGAPASCAL
MTL METAL
N NEWTON
NLWT NORMAL WEIGHT

ABBREVIATIONS (CONT.):

(N) NEW
OC ON CENTER
OPNG OPENING
OPP OPPOSITE
O.F. OUTER FACE
PJP PARTIAL JOINT PENETRATION
PSF POUNDS PER SQUARE FOOT
PSI POUNDS PER SQUARE INCH
PT POST-TENSION
R RISER
REF REFERENCE
REINF REINFORCING OR REINFORCEMENT
REQ'D REQUIRED
SCHED SCHEDULE
SC SLIP CRITICAL
SDI STEEL DECK INSTITUTE
SDL SUPERIMPOSED DEAD LOAD
SEC SECONDS
SIM SIMILAR
SJI STEEL JOIST INSTITUTE
SLV SHORT LED (DIM) VERTICAL

ABBREVIATIONS (CONT.):

SOG SLAB-ON-GRADE
STD STANDARD
STL STEEL
STRUCT STRUCTURAL
T TOP OF TREAD
T/ TOP OF
TOF TOP OF FOOTING
TOS TOP OF STEEL
THK THICK
TMS THE MASONRY SOCIETY
TYP TYPICAL
UNO UNLESS NOTED OTHERWISE
VERT VERTICAL
W/C WATER-CEMENTITIOUS MATERIAL RATIO
W WIDTH
WD WOOD
WP WORK POINT
WWR WELDED WIRE REINFORCEMENT

PREPARED FOR:
OMNIMAX
INTERNATIONAL
30 TECHNOLOGY PKWY S. SUITE 400/600
PEACHTREE CORNERS, GA 30092

This plan has been prepared solely for benefit of the person(s) named above and for project noted on this drawing. The use of this plan by any third party, or for any other purpose other than specified, is prohibited without written consent from PVE, LLC.

DATE ISSUED: 2/8/2023

PLAN REVISIONS		
NO.	DATE	DESCRIPTION

SITUATED IN: N/A

PROJECT NAME:
KNOTWOOD
GENERIC BATTENS
SHOP DRAWINGS

DRAWING NAME:
TITLE SHEET

PROJECT NO: 2110314
DRAWING NO: T-100

GENERAL NOTES:

- DRAWING REFERENCE:**
N/A
- CONTRACTOR TO VERIFY ALL DIMENSIONS IN FIELD PRIOR TO INSTALLATION. DO NOT SCALE OFF DRAWINGS.
- ALL MEMBERS SHALL BE SAW CUT IN FIELD AS REQUIRED.
- NO SPLICES SHALL BE PERMITTED UNLESS INDICATED OTHERWISE ON DRAWINGS.
- TOUCH UP ALL SCRATCHES WITH DEALER PROVIDED COLORS TO MATCH.
- WELDING IS NOT PERMITTED, UNLESS OTHERWISE INDICATED ON DRAWINGS.
- THE CONTENTS SHOW THE APPLICATION OF ALUMINUM KNOTWOOD FRAMING COMPONENTS ONLY. THE INSTALLING CONTRACTOR IS TO REFER TO THE PROJECT DOCUMENTS FOR ADDITIONAL REQUIREMENTS.
- DIMENSIONS HEREIN ARE FOR ENGINEERING PURPOSES ONLY AND MUST BE REVIEWED FOR THE PURPOSE OF APPROVAL. ALL CONDITIONS ARE SUBJECT TO APPROVAL AND TO FIELD VERIFICATION PRIOR TO FABRICATION OR INSTALLATION.
- BEFORE ORDERING, FABRICATING OR ERECTING ANY MATERIAL, MAKE ANY NECESSARY SURVEYS AND MEASUREMENTS TO VERIFY THAT IN PLACE WORK HAS BEEN BUILT ACCORDING TO THE CONTRACT DOCUMENTS AND ARE WITHIN ACCEPTABLE TOLERANCES. THIS INCLUDES THE ORIGINAL BUILDINGS AND ALL ADDITIONS THERETO. NOTIFY THE A/E AND OWNER'S REPRESENTATIVES OF ANY DISCREPANCIES PRIOR TO CONSTRUCTION.
- TEMPORARY BRACING OF THE SYSTEM AND SAFETY DURING CONSTRUCTION IS SOLELY THE RESPONSIBILITY OF THE CONTRACTOR. TEMPORARY BRACING OF THE SYSTEM SHALL REMAIN IN PLACE UNTIL THE SYSTEM IS TOTALLY IN PLACE. CONTRACTOR SHALL COORDINATE LOCATIONS OF TEMPORARY BRACING WITH OTHER CONTRACTORS. REFER TO DRAWINGS FOR ADDITIONAL CRITERIA.
- THIS SUBMITTAL IS SUBJECT TO THE REVIEW AND APPROVAL OF THE PROJECT ARCHITECT/ENGINEER OF RECORD PRIOR TO INSTALLATION.

BUILDING LOADS:

- SUPERIMPOSED DEAD LOAD AND LIVE LOADS
 - DEAD LOAD

1. 2X2 - KEB5050M/KEB5050F	1.21 PLF
2. 2X4 - KEB5050M/KEB10050F	1.93 PLF
3. 2X6 - KEB5050M/KEB15050F	2.58 PLF
4. 2X8 - KEB5050M/KEB20050F	3.14 PLF
 - LIVE LOADS

1. DISTRIBUTED LOAD	SEE SPAN TABLES
2. CONCENTRATED LOAD	SEE SPAN TABLES
- SNOW LOADS
 - SEE SPAN TABLES FOR MAX DISTRIBUTED LOADS
- WIND
 - SEE SPAN TABLES FOR MAX DISTRIBUTED LOADS
- SEISMIC
 - SEE SPAN TABLES FOR MAX DISTRIBUTED LOADS

CODES AND STANDARDS:

- THE FOLLOWING CODES AND STANDARDS, INCLUDING ALL SPECIFICATIONS REFERENCED WITHIN, APPLY TO THE DESIGN AND CONSTRUCTION OF THIS PROJECT WITH LATEST EDITION PER GOVERNING BUILDING CODE TO BE USED:
 - ASCE 7-16, "MINIMUM DESIGN LOADS FOR BUILDINGS AND OTHER STRUCTURES"
 - IBC 2018, "INTERNATIONAL BUILDING CODE"
 - AA ADM-2015 "ALUMINUM DESIGN MANUAL"
 - ACI 318-14. "BUILDING CODE REQUIREMENTS FOR STRUCTURAL CONCRETE"
 - 7TH EDITION - 2020 FLORIDA BUILDING CODE

ALUMINUM NOTES:

- ALL STRUCTURAL ALUMINUM COMPONENTS SHALL BE FABRICATED AND ERECTED ACCORDING TO THE GOVERNING BUILDING CODE AND ADM-2015.
- MATERIAL NOTES:**
ALL SHAPES SHALL BE ONE OF THE FOLLOWING ALUMINUM ALLOYS AND TEMPER:

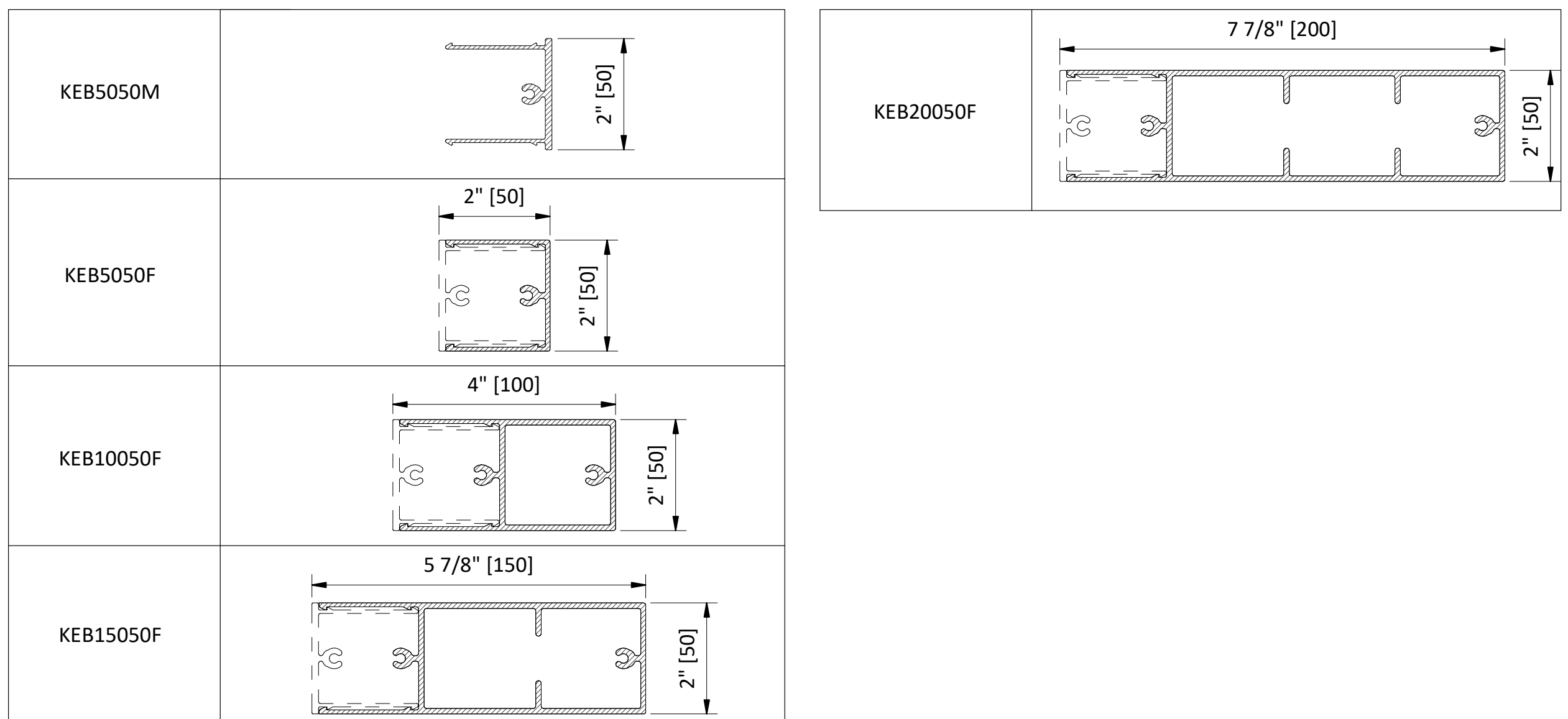
6061-T6	6063-T6
F _y : 35 KSI	F _y : 25 KSI
F _u : 38 KSI	F _u : 30 KSI
E: 10x10 ³ KSI	E: 10x10 ³ KSI
- SCREWS:**
SELF-TAPPING METAL SCREWS (AS NOTED) - #10 MINIMUM GALVANIZED UNLESS NOTED OTHERWISE
304/316 STAINLESS STEEL OR ALUMINUM COATED WHERE NOTED AT HIGH/SALT EXPOSURE
- WHERE ALUMINUM IS IN CONTACT WITH OTHER METALS EXCEPT 300 SERIES STAINLESS TELL, ZINC OR CADMIUM AND THE FAYING SURFACES ARE EXPOSED TO MOISTURE, THE OTHER METALS SHALL BE PAINTED OR COATED WITH ZINC, CADMIUM, OR ALUMINUM.
- UNCOATED ALUMINUM SHALL NOT BE EXPOSED TO MOISTURE OR RUNOFF THAT HAS COME IN CONTACT WITH OTHER UNCOATED METALS EXCEPT 300 SERIES STAINLESS, ZINC, OR CADMIUM.
- ALUMINUM SURFACES TO BE PLACED IN CONTACT WITH WOOD, FIBERBOARD, OR OTHER POROUS MATERIAL THAT ABSORBS WATER SHALL BE PAINTED.
- ALUMINUM SURFACES SHALL BE PAINTED IF THEY ARE TO BE PLACED IN CONTACT WITH CONCRETE OR MASONRY UNLESS THE CONCRETE OR MASONRY REMAINS DRY AFTER CURING AND NO CORROSIVE ADDITIVES SUCH AS CHLORIDES ARE USED.
- ALUMINUM SHALL NOT BE EMBEDDED IN CONCRETE WITH CORROSIVE ADDITIVES SUCH AS CHLORIDES IF THE ALUMINUM IS ELECTRICALLY CONNECTED TO STEEL. ALUMINUM EMBEDDED IN CONCRETE SHALL BE WRAPPED WITH 10 MIL PIPE WRAP OR PLASTIC TAPE. WRAP MUST PROTECT ALL ALUMINUM SURFACES FROM EXPOSURE TO CONCRETE.
- AS AN ALTERNATIVE TO THE PREVIOUS REQUIREMENTS FOR ALUMINUM IN CONTACT WITH OTHER MATERIALS, ALUMINUM SHALL BE SEPARATED FROM THE MATERIALS OF THIS SECTION BY A NONPOROUS ISOLATOR COMPATIBLE WITH THE ALUMINUM AND THE DISSIMILAR MATERIAL.
- STEEL FASTENERS WITH A MINIMUM TENSILE ULTIMATE STRENGTH GREATER THAN 120 KSI IN THE LOAD BEARING PORTION OF THE SHANK SHALL NOT BE USED IN CONTACT WITH ALUMINUM. ALL FASTENERS SHALL BE LOCATED AT A SPACING THAT CONFORMS TO AISC STANDARD GAGE AND PITCH.
- BOLT HOLES SHALL BE DRILLED THE SAME NOMINAL DIAMETER AS THE BOLT + 1/16" (U.O.N.).
- PREDRILL ALL HOLES FOR MATERIAL THICKER THAN 3/16".
- NOMINAL DIAMETER OF UNTHREADED HOLES FOR SCREWS SHALL NOT EXCEED THE NOMINAL DIAMETER OF THE SCREWS BY MORE THAN 1/16".
- THE SPACING BETWEEN SCREW CENTERS SHALL NOT BE LESS THAN 2.5 TIMES THE NOMINAL DIAMETER OF THE SCREWS.
- THE DISTANCE FROM THE EDGE OF A PART TO THE CENTER OF THE SCREWS SHALL NOT BE LESS THAN 1.5 TIMES THE NOMINAL DIAMETER OF THE SCREW.
- WASHERS SHALL HAVE A NOMINAL DIAMETER NOT LESS THAN 5/16" AND SHALL HAVE A NOMINAL THICKNESS NOT LESS THAN 0.050".

TYPICAL SCREW FASTENER LEGEND:

NOTE: SCREWS SHOWN BELOW ARE TYPICAL EXAMPLES AND ALL MAY NOT BE USED IN PROJECT. CONTRACTOR MAY ELECT TO USE OTHER TYPES. SCREW MATERIAL PER THE GENERAL NOTES AND MINIMUM SCREW DIAMETER PER THE DETAILS MUST BE MAINTAINED. DRILL POINT, HEAD STYLE, AND THREAD COUNT PER INCH SHALL BE SELECTED BY THE CONTRACTOR BASED ON THE APPLICATION.

#10-16X1" HEX WASHER HEAD (HWH) SELF DRILLING SCREW (5/16" HEX-HEAD) (METAL TO METAL) MANUF. PART NO. 10100HW3CS		TRIANGLE FASTENER 1-800-486-1832
#10-12X1-1/2" BURR-BUSTER SELF DRILLING SCREW (5/16" HEX-HEAD) (METAL TO WOOD) MANUF. PART NO. 10150HWBB17CSTSBW		TRIANGLE FASTENER 1-800-486-1832
#10-16X5/8" BLAZER LO PROFILE PANCAKE HEAD SELF DRILLING SCREW (2/2 QUADREX DRIVE) (METAL TO METAL) MANUF. PART NO. CSSD5-#10X5/8"-PC-QX-F		TRIANGLE FASTENER 1-800-486-1832
#10-13X2" GP SELF DRILLING SCREW (2/2 QUADREX DRIVE) (THIN METAL) MANUF. PART NO. 10200SPCGCSTS		TRIANGLE FASTENER 1-800-486-1832
3/16"x1-3/4" ULTRACON+ SELF DRILLING SCREW (1/4" HEX-HEAD) (METAL TO CMU) MANUF. PART NO. DFM12702		DEWALT, ELCO, & POWERS 1-800-524-3244
#12-11X1" GP SELF DRILLING SCREW (2/2 QUADREX DRIVE) (THIN METAL) MANUF. PART NO. 12100SPCGCSTS		TRIANGLE FASTENER 1-800-486-1832
#12-24X1-1/2" SD5 PANCAKE HEAD SELF DRILLING SCREW (2/2 QUADREX DRIVE) (METAL TO METAL) MANUF. PART NO. CSSD5-#12X1-1/2"-PC-QX-F		SFS INTECT 1-800-234-4533
#12-24X4-3/4" CONCEALOR SELF DRILLING SCREW (#3 SQUARE) (METAL THRU EPS TO METAL) MANUF. PART NO. 126750C35E		TRIANGLE FASTENER 1-800-486-1832

ENLARGED PART DETAILS (UNITS IN BRACKETS ARE MM):



PREPARED FOR:
OMNIMAX INTERNATIONAL
30 TECHNOLOGY PKWY S. SUITE 400/600
PEACHTREE CORNERS, GA 30092

This plan has been prepared solely for benefit of the person(s) named above and for project noted on this drawing. The use of this plan by any third party, or for any other purpose other than specified, is prohibited without written consent from PGE, LLC.

DATE ISSUED: 2/8/2023

PLAN REVISIONS		
NO.	DATE	DESCRIPTION

SITUATED IN: N/A

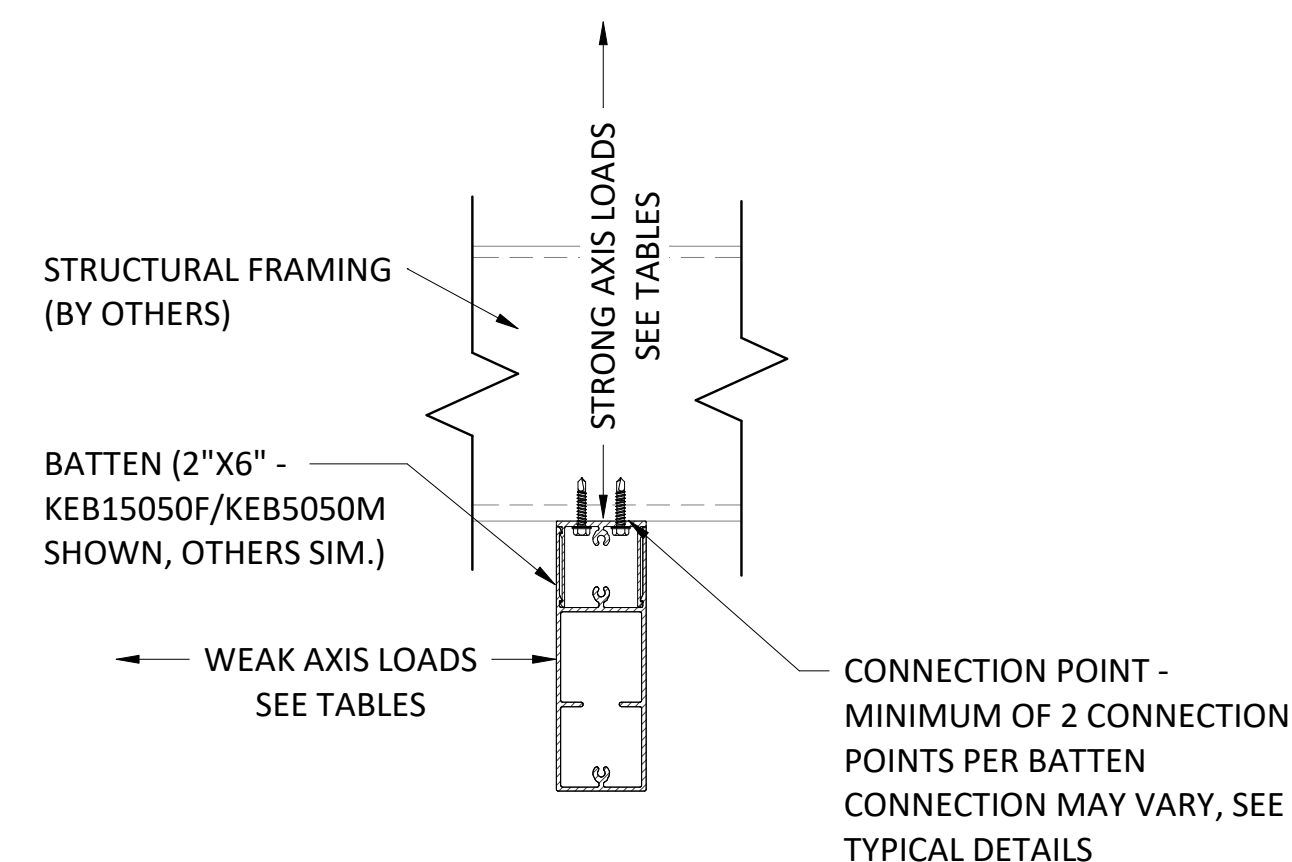
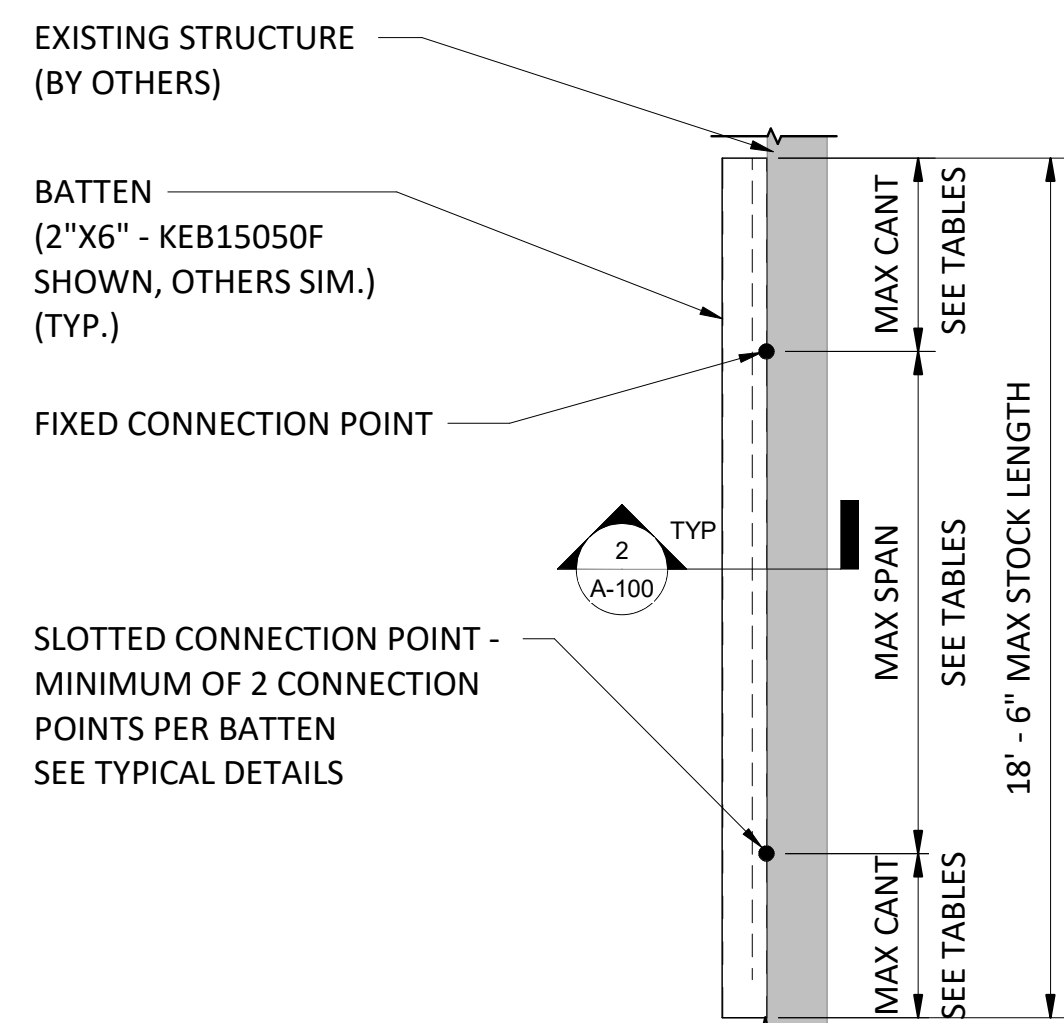
PROJECT NAME:

KNOTWOOD
GENERIC BATTENS
SHOP DRAWINGS

DRAWING NAME:

GENERAL NOTES

PROJECT NO: 2110314
DRAWING NO: G-100



1 TYPICAL OVERALL VERTICAL BATTEN SECTION VIEW
1/2" = 1'-0"

2 TYPICAL VERTICAL BATTEN LOADING DIAGRAM
3" = 1'-0"

2X2 (KEB5050M/KEB5050F) SIMPLY SUPPORTED BATTEN SPAN TABLE ¹²³				
MAX SPAN	MAX STRONG AXIS LOADS ²		MAX WEAK AXIS LOAD ²	
	DISTRIBUTED	POINT	DISTRIBUTED	POINT
8'-0"	82 PLF	330 LBS	80 PLF	325 LBS
9'-0"	63 PLF	295 LBS	63 PLF	290 LBS
10'-0"	46 PLF	265 LBS	46 PLF	260 LBS
11'-0"	34 PLF	235 LBS	34 PLF	235 LBS
12'-0"	26 PLF	200 LBS	26 PLF	200 LBS
13'-0"	21 PLF	170 LBS	21 PLF	170 LBS
14'-0"	16 PLF	145 LBS	16 PLF	145 LBS
15'-0"	13 PLF	125 LBS	13 PLF	125 LBS
16'-0"	11 PLF	110 LBS	11 PLF	110 LBS
17'-0"	9 PLF	100 LBS	9 PLF	100 LBS

1. CONNECTIONS SHALL BE VERIFIED BY EOR AND MAY CONTROL SPAN
2. MAXIMUM ASD FACTORED LOADS ALLOWED FOR SPAN AS DEFINED BY ASCE 7
3. MAXIMUM DEFLECTION OF L/60 FOR ALUMINUM MEMBERS PER IBC CONSIDERED

2X2 (KEB5050M/KEB5050F) CANTILEVERED BATTEN SPAN TABLE ¹²³				
MAX CANTILEVER LENGTH	MAX STRONG AXIS LOADS ²		MAX WEAK AXIS LOAD ²	
	DISTRIBUTED	POINT	DISTRIBUTED	POINT
2'-0"	330 PLF	330 LBS	325 PLF	325 LBS
3'-0"	147 PLF	220 LBS	145 PLF	215 LBS
4'-0"	82 PLF	165 LBS	81 PLF	160 LBS
5'-0"	53 PLF	130 LBS	52 PLF	130 LBS
6'-0"	36 PLF	100 LBS	36 PLF	100 LBS
7'-0"	27 PLF	70 LBS	26 PLF	70 LBS

1. CONNECTIONS SHALL BE VERIFIED BY EOR AND MAY CONTROL SPAN
2. MAXIMUM ASD FACTORED LOADS ALLOWED FOR SPAN AS DEFINED BY ASCE 7
3. MAXIMUM DEFLECTION OF L/60 FOR ALUMINUM MEMBERS PER IBC CONSIDERED

2X4 (KEB5050M/KEB10050F) SIMPLY SUPPORTED BATTEN SPAN TABLE ¹²³				
MAX SPAN	MAX STRONG AXIS LOADS ²		MAX WEAK AXIS LOAD ²	
	DISTRIBUTED	POINT	DISTRIBUTED	POINT
8'-0"	198 PLF	790 LBS	147 PLF	585 LBS
9'-0"	156 PLF	705 LBS	112 PLF	520 LBS
10'-0"	126 PLF	635 LBS	82 PLF	470 LBS
11'-0"	104 PLF	575 LBS	61 PLF	420 LBS
12'-0"	88 PLF	525 LBS	47 PLF	355 LBS
13'-0"	75 PLF	485 LBS	37 PLF	300 LBS
14'-0"	64 PLF	450 LBS	29 PLF	260 LBS
15'-0"	56 PLF	420 LBS	24 PLF	225 LBS
16'-0"	49 PLF	395 LBS	20 PLF	200 LBS
17'-0"	43 PLF	370 LBS	16 PLF	175 LBS

1. CONNECTIONS SHALL BE VERIFIED BY EOR AND MAY CONTROL SPAN
2. MAXIMUM ASD FACTORED LOADS ALLOWED FOR SPAN AS DEFINED BY ASCE 7
3. MAXIMUM DEFLECTION OF L/60 FOR ALUMINUM MEMBERS PER IBC CONSIDERED

2X4 (KEB5050M/KEB10050F) CANTILEVERED BATTEN SPAN TABLE ¹²³				
MAX CANTILEVER LENGTH	MAX STRONG AXIS LOADS ²		MAX WEAK AXIS LOAD ²	
	DISTRIBUTED	POINT	DISTRIBUTED	POINT
2'-0"	793 PLF	790 LBS	587 PLF	585 LBS
3'-0"	352 PLF	525 LBS	261 PLF	290 LBS
4'-0"	198 PLF	395 LBS	147 PLF	400 LBS
5'-0"	126 PLF	315 LBS	94 PLF	255 LBS
6'-0"	88 PLF	260 LBS	65 PLF	175 LBS
7'-0"	64 PLF	225 LBS	48 PLF	130 LBS

1. CONNECTIONS SHALL BE VERIFIED BY EOR AND MAY CONTROL SPAN
2. MAXIMUM ASD FACTORED LOADS ALLOWED FOR SPAN AS DEFINED BY ASCE 7
3. MAXIMUM DEFLECTION OF L/60 FOR ALUMINUM MEMBERS PER IBC CONSIDERED

2X6 (KEB5050M/KEB15050F) SIMPLY SUPPORTED BATTEN SPAN TABLE ¹²³				
MAX SPAN	MAX STRONG AXIS LOADS ²		MAX WEAK AXIS LOAD ²	
	DISTRIBUTED	POINT	DISTRIBUTED	POINT
8'-0"	420 PLF	1680 LBS	208 PLF	830 LBS
9'-0"	332 PLF	1495 LBS	159 PLF	740 LBS
10'-0"	269 PLF	1345 LBS	116 PLF	665 LBS
11'-0"	222 PLF	1220 LBS	87 PLF	595 LBS
12'-0"	187 PLF	1120 LBS	67 PLF	500 LBS
13'-0"	159 PLF	1035 LBS	52 PLF	425 LBS
14'-0"	137 PLF	960 LBS	42 PLF	370 LBS
15'-0"	119 PLF	895 LBS	34 PLF	320 LBS
16'-0"	105 PLF	840 LBS	28 PLF	280 LBS
17'-0"	93 PLF	790 LBS	23 PLF	250 LBS

1. CONNECTIONS SHALL BE VERIFIED BY EOR AND MAY CONTROL SPAN
2. MAXIMUM ASD FACTORED LOADS ALLOWED FOR SPAN AS DEFINED BY ASCE 7
3. MAXIMUM DEFLECTION OF L/60 FOR ALUMINUM MEMBERS PER IBC CONSIDERED

2X6 (KEB5050M/KEB15050F) CANTILEVERED BATTEN SPAN TABLE ¹²³				
MAX CANTILEVER LENGTH	MAX STRONG AXIS LOADS ²		MAX WEAK AXIS LOAD ²	
	DISTRIBUTED	POINT	DISTRIBUTED	POINT
2'-0"	1682 PLF	1680 LBS	832 PLF	830 LBS
3'-0"	747 PLF	1120 LBS	369 PLF	555 LBS
4'-0"	420 PLF	840 LBS	208 PLF	415 LBS
5'-0"	269 PLF	670 LBS	133 PLF	330 LBS
6'-0"	187 PLF	560 LBS	92 PLF	275 LBS
7'-0"	137 PLF	480 LBS	67 PLF	235 LBS

1. CONNECTIONS SHALL BE VERIFIED BY EOR AND MAY CONTROL SPAN
2. MAXIMUM ASD FACTORED LOADS ALLOWED FOR SPAN AS DEFINED BY ASCE 7
3. MAXIMUM DEFLECTION OF L/60 FOR ALUMINUM MEMBERS PER IBC CONSIDERED

2X8 (KEB5050M/KEB20050F) SIMPLY SUPPORTED BATTEN SPAN TABLE ¹²³				
MAX SPAN	MAX STRONG AXIS LOADS ²		MAX WEAK AXIS LOAD ²	
	DISTRIBUTED	POINT	DISTRIBUTED	POINT
8'-0"	654 PLF	2615 LBS	269 PLF	1075 LBS
9'-0"	517 PLF	2325 LBS	206 PLF	955 LBS
10'-0"	418 PLF	2090 LBS	150 PLF	860 LBS
11'-0"	346 PLF	1900 LBS	113 PLF	775 LBS
12'-0"	290 PLF	1745 LBS	87 PLF	650 LBS
13'-0"	247 PLF	1610 LBS	68 PLF	555 LBS
14'-0"	213 PLF	1495 LBS	54 PLF	475 LBS
15'-0"	186 PLF	1395 LBS	44 PLF	415 LBS
16'-0"	163 PLF	1305 LBS	36 PLF	365 LBS
17'-0"	144 PLF	1230 LBS	30 PLF	325 LBS

1. CONNECTIONS SHALL BE VERIFIED BY EOR AND MAY CONTROL SPAN
2. MAXIMUM ASD FACTORED LOADS ALLOWED FOR SPAN AS DEFINED BY ASCE 7
3. MAXIMUM DEFLECTION OF L/60 FOR ALUMINUM MEMBERS PER IBC CONSIDERED

2X8 (KEB5050M/KEB20050F) CANTILEVERED BATTEN SPAN TABLE ¹²³				
MAX CANTILEVER LENGTH	MAX STRONG AXIS LOADS ²		MAX WEAK AXIS LOAD ²	
	DISTRIBUTED	POINT	DISTRIBUTED	POINT
2'-0"	2618 PLF	2615 LBS	1077 PLF	1075 LBS
3'-0"	1163 PLF	1745 LBS	478 PLF	715 LBS
4'-0"	654 PLF	1305 LBS	269 PLF	535 LBS
5'-0"	418 PLF	1045 LBS	172 PLF	465 LBS
6'-0"	290 PLF	870 LBS	119 PLF	325 LBS
7'-0"	213 PLF	745 LBS	88 PLF	235 LBS

1. CONNECTIONS SHALL BE VERIFIED BY EOR AND MAY CONTROL SPAN
2. MAXIMUM ASD FACTORED LOADS ALLOWED FOR SPAN AS DEFINED BY ASCE 7
3. MAXIMUM DEFLECTION OF L/60 FOR ALUMINUM MEMBERS PER IBC CONSIDERED

PREPARED FOR:
OMNIMAX
INTERNATIONAL
30 TECHNOLOGY PKWY S. SUITE 400/600
PEACHTREE CORNERS, GA 30092

This plan has been prepared solely for benefit of the person(s) named above and for project noted on this drawing. The use of this plan by any third party, or for any other purpose other than specified, is prohibited without written consent from PIG, LLC.

DATE ISSUED: 2/8/2023

PLAN REVISIONS

NO.	DATE	DESCRIPTION

SITUATED IN: N/A

PROJECT NAME:

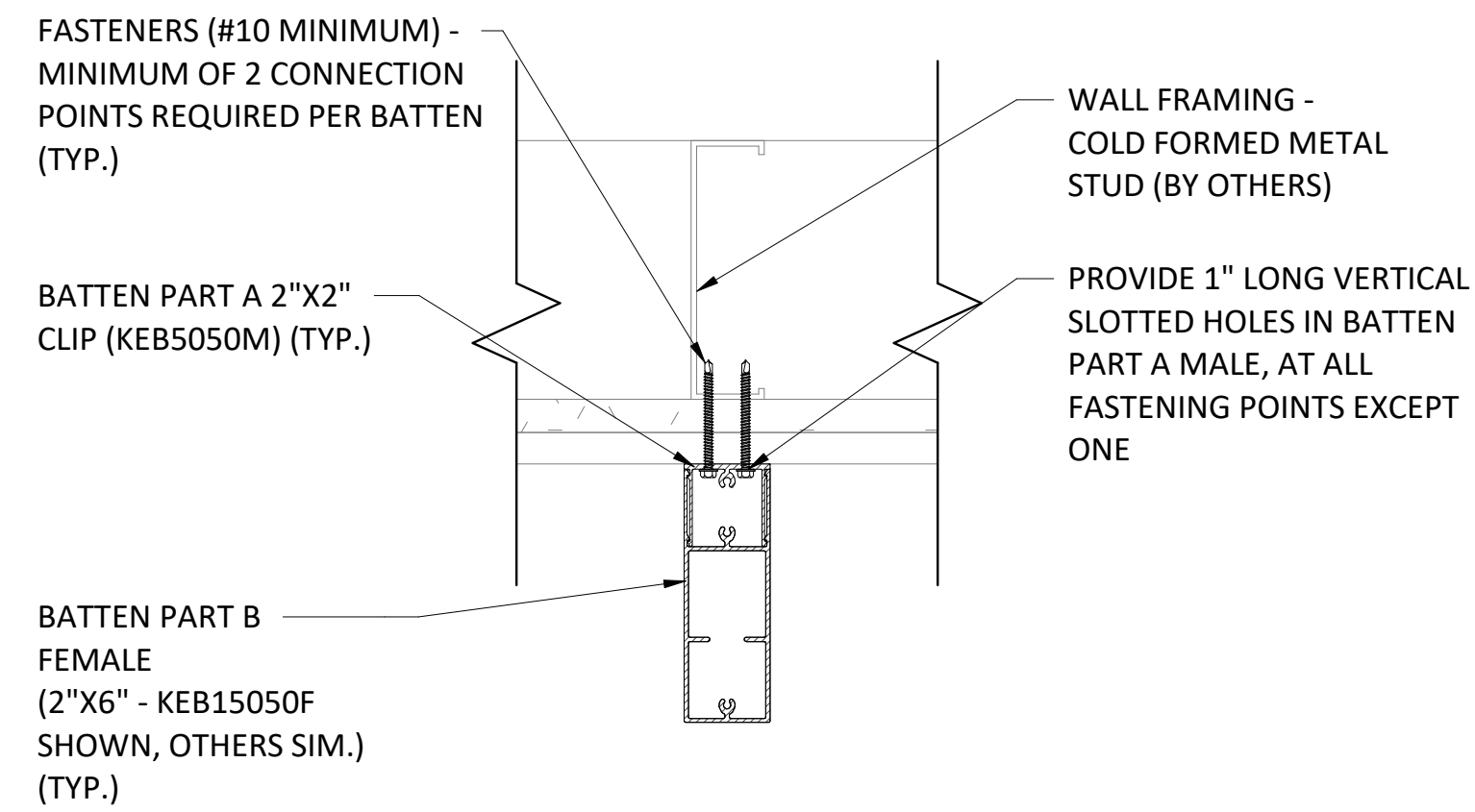
KNOTWOOD
GENERIC BATTENS
SHOP DRAWINGS

DRAWING NAME:

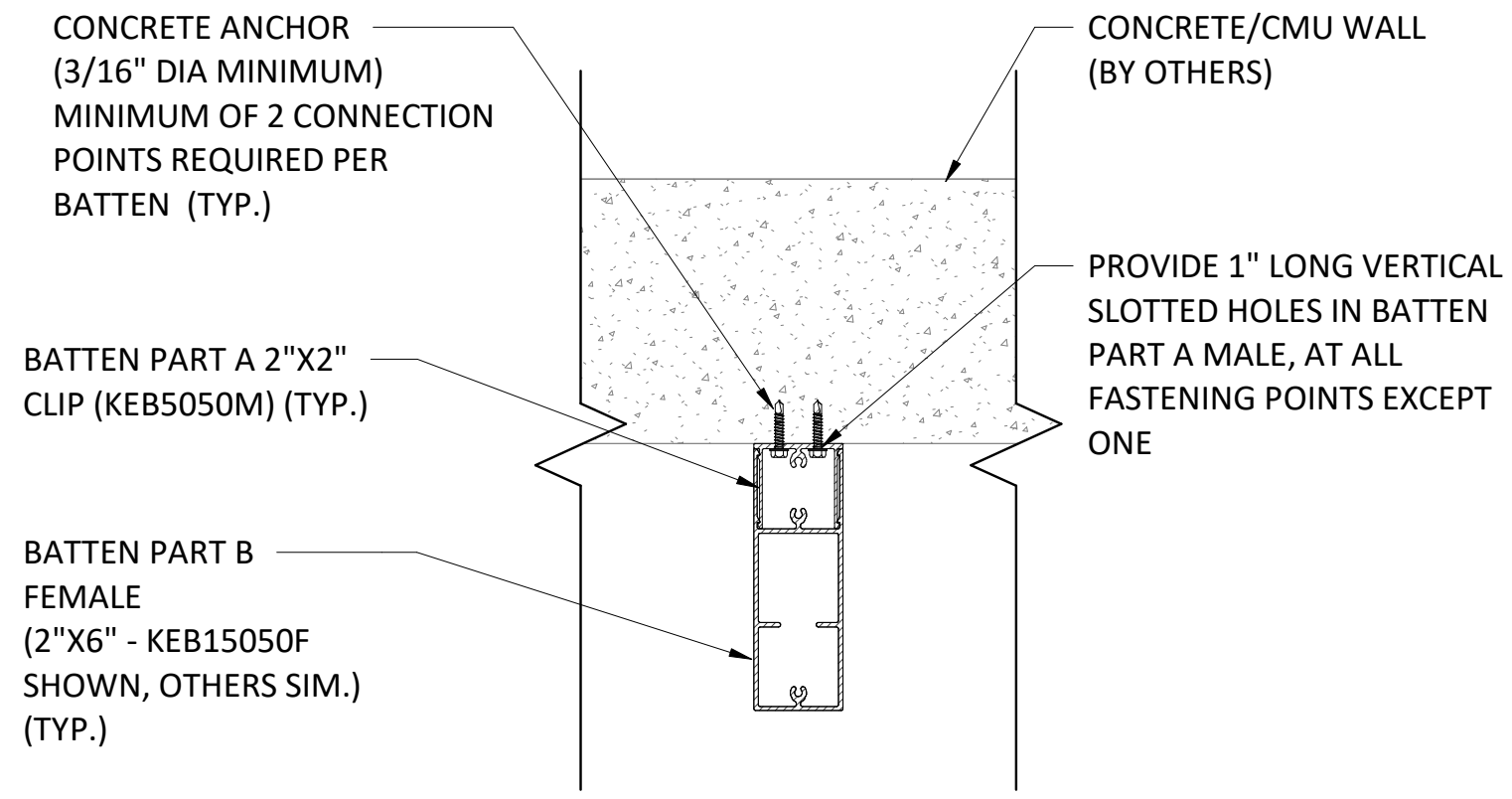
VERTICAL BATTEN
SPAN TABLES

PROJECT NO:
2110314

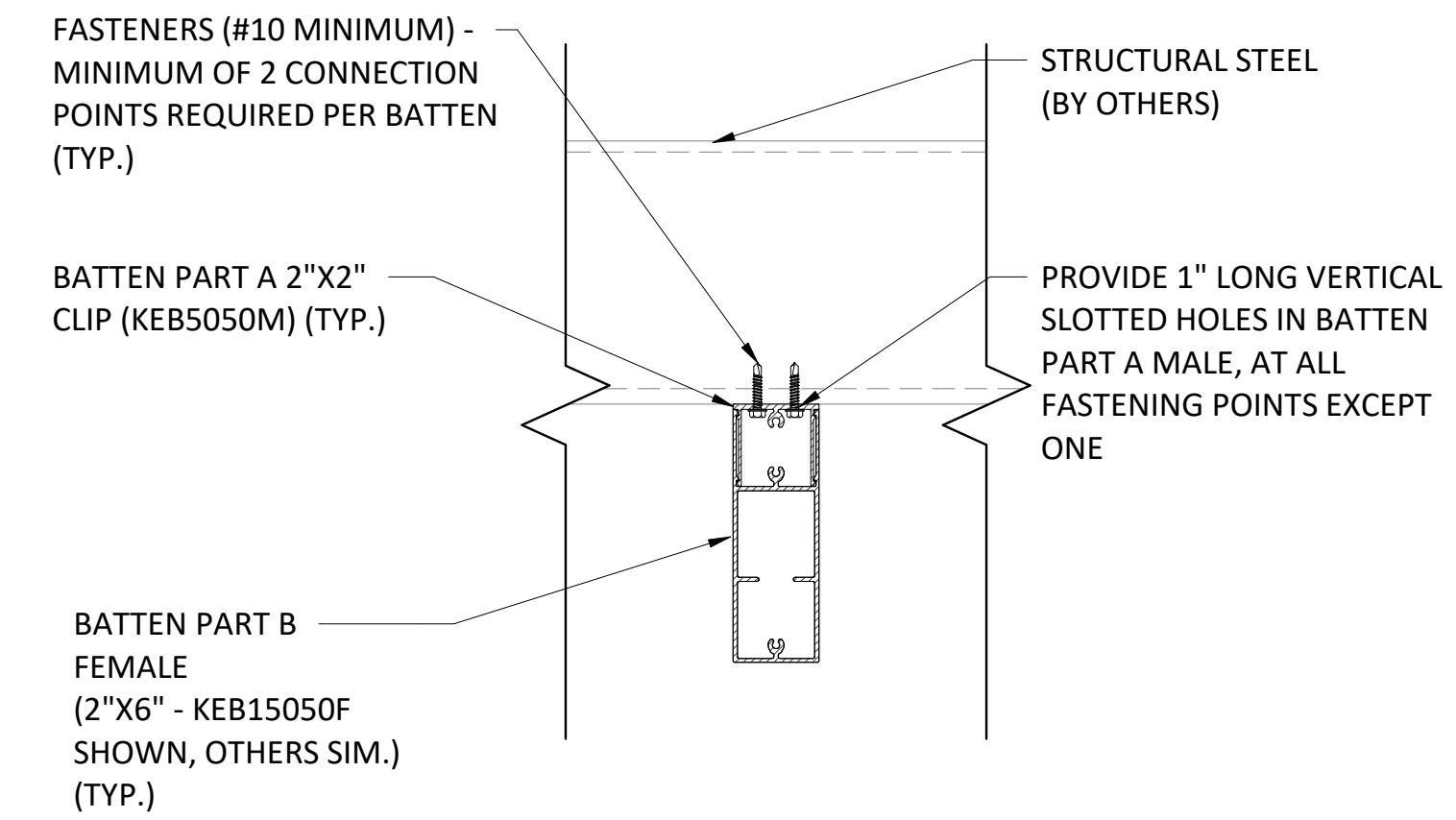
DRAWING NO:
A-100



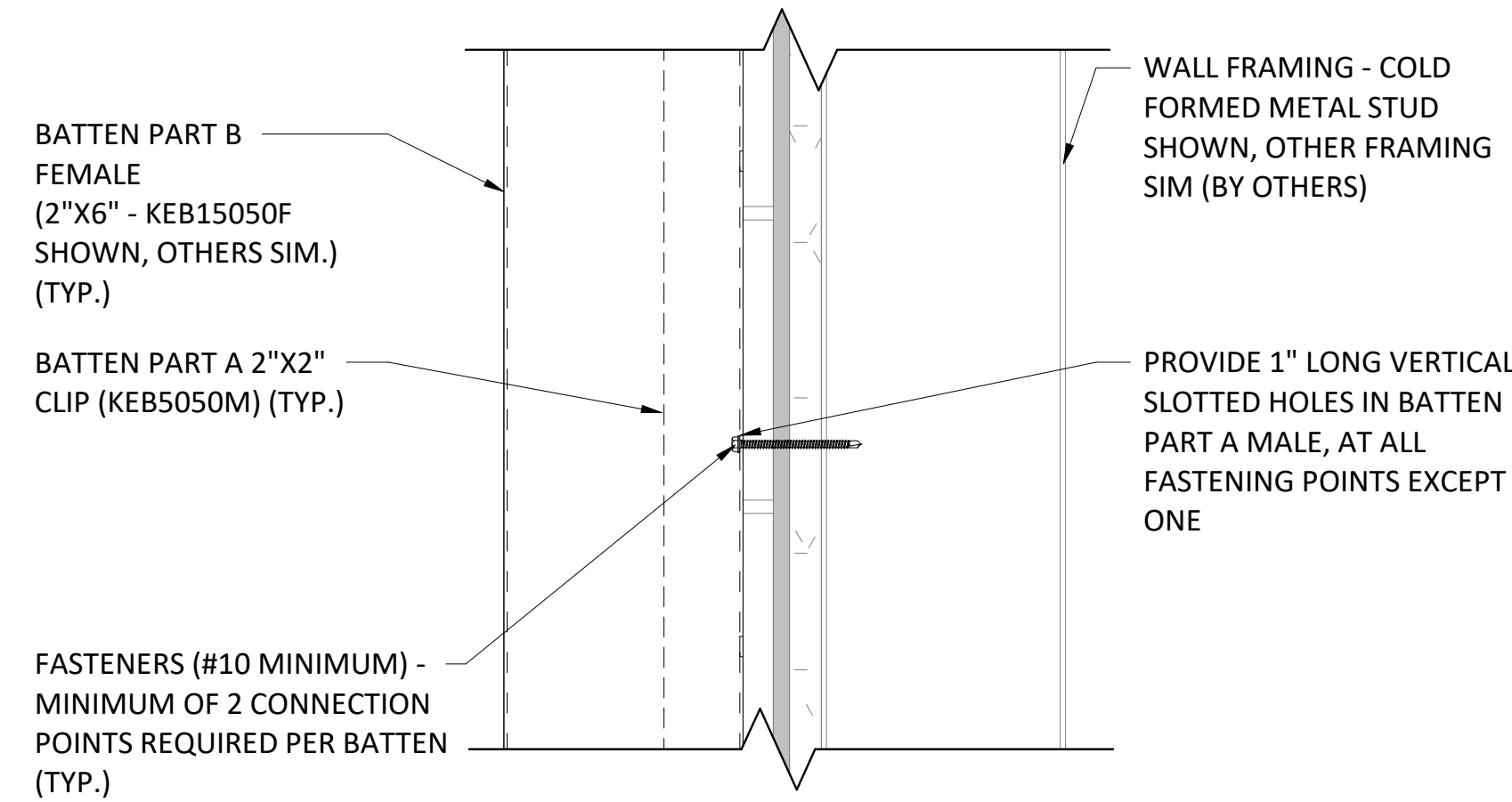
1 TYPICAL VERTICAL BATTEN CONNECTION TO LIGHT GAUGE PLAN VIEW
3" = 1'-0"



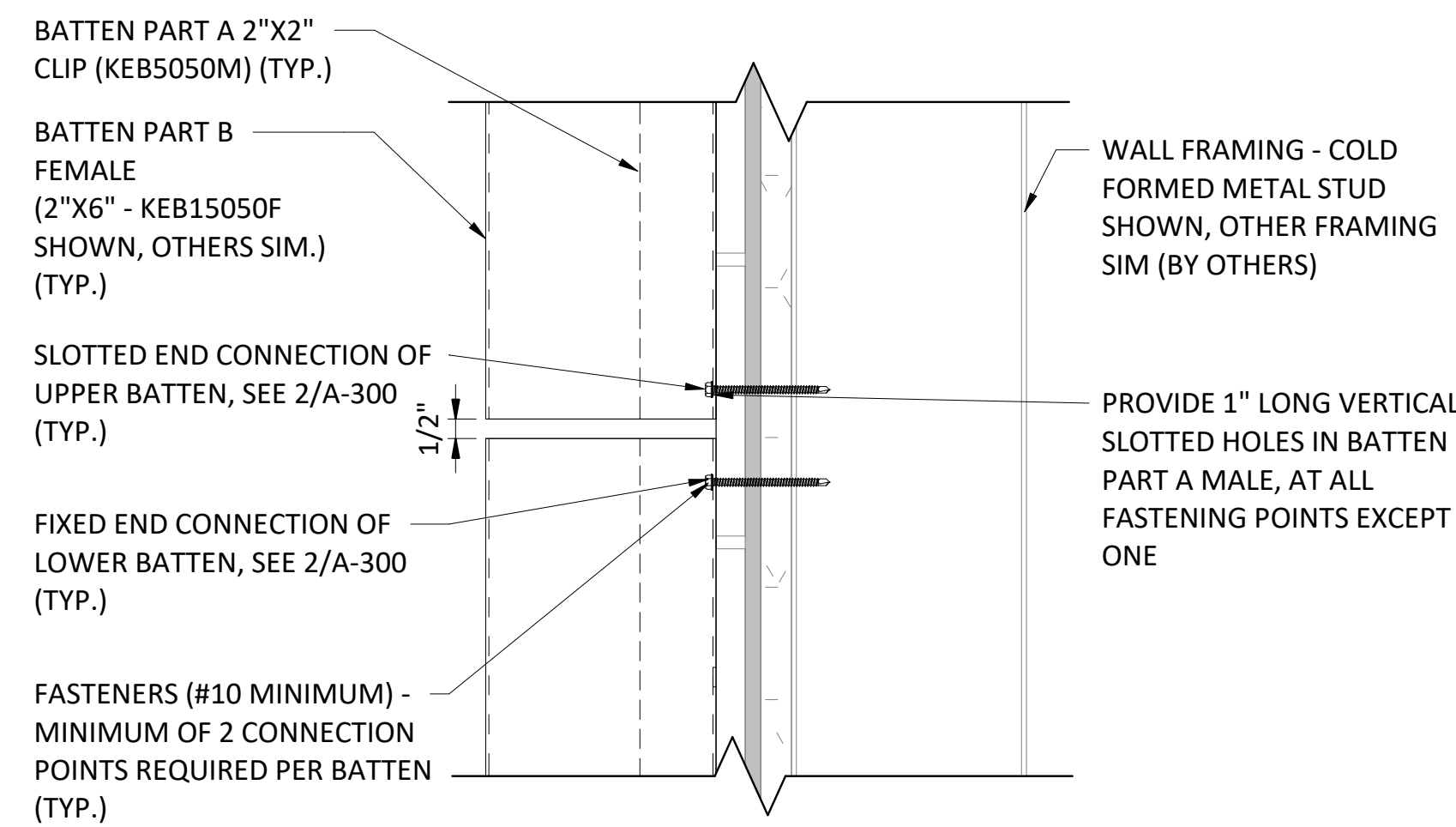
2 TYPICAL VERTICAL BATTEN CONNECTION TO CONCRETE/CMU PLAN VIEW
3" = 1'-0"



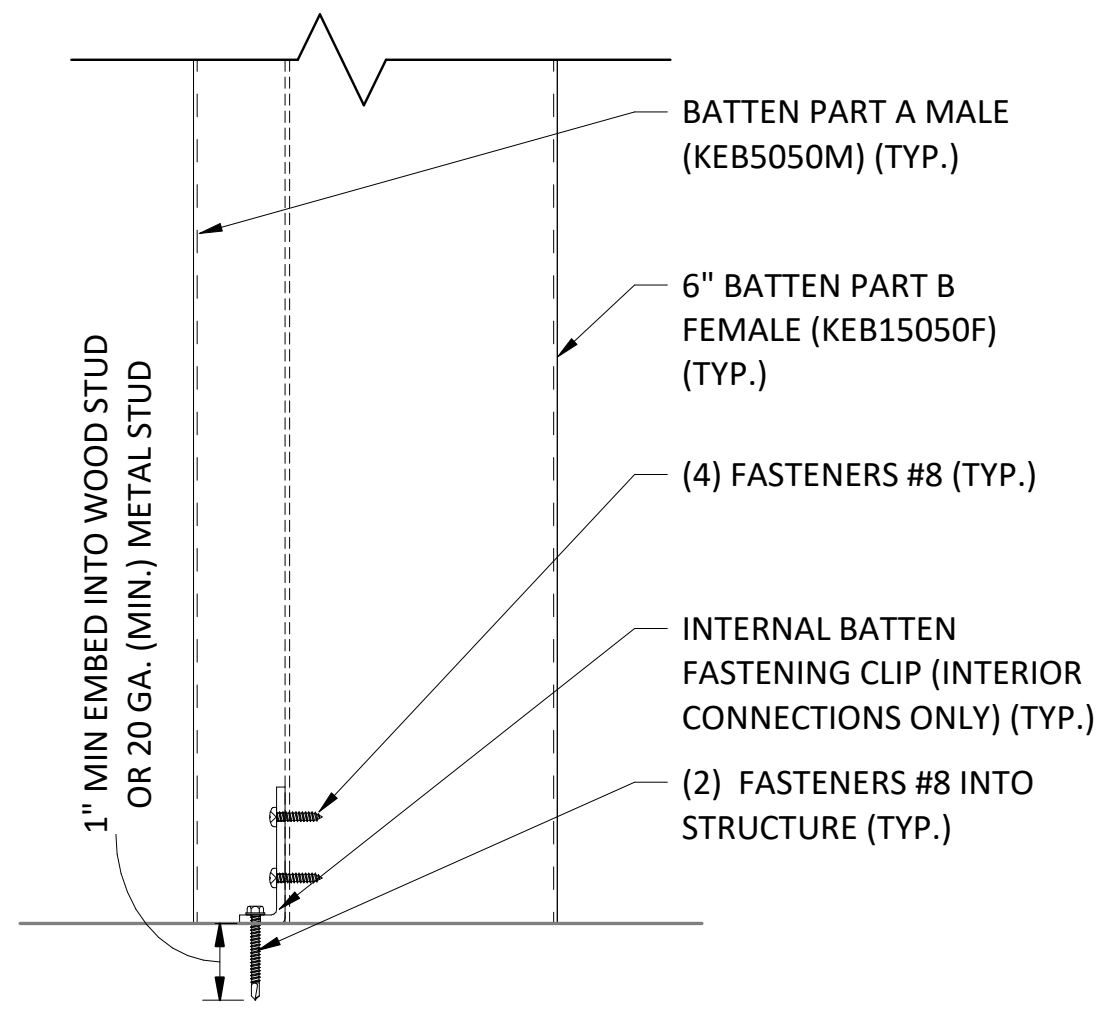
3 TYPICAL VERTICAL BATTEN CONNECTION TO STRUCTURAL STEEL PLAN VIEW
3" = 1'-0"



4 TYPICAL VERTICAL BATTEN CONNECTION SECTION VIEW
3" = 1'-0"



5 TYPICAL VERTICAL BATTEN SPLICE CONNECTION SECTION VIEW
3" = 1'-0"



6 TYPICAL INTERIOR VERTICAL BATTEN END CONNECTION DETAIL
3" = 1'-0"

PREPARED FOR:
OMNIMAX INTERNATIONAL
30 TECHNOLOGY PKWY S. SUITE 400/600
PEACHTREE CORNERS, GA 30092

This plan has been prepared solely for benefit of the person(s) named above and for project noted on this drawing. The use of this plan by any third party, or for any other purpose other than specified, is prohibited without written consent from PGE, LLC.

DATE ISSUED: 2/8/2023

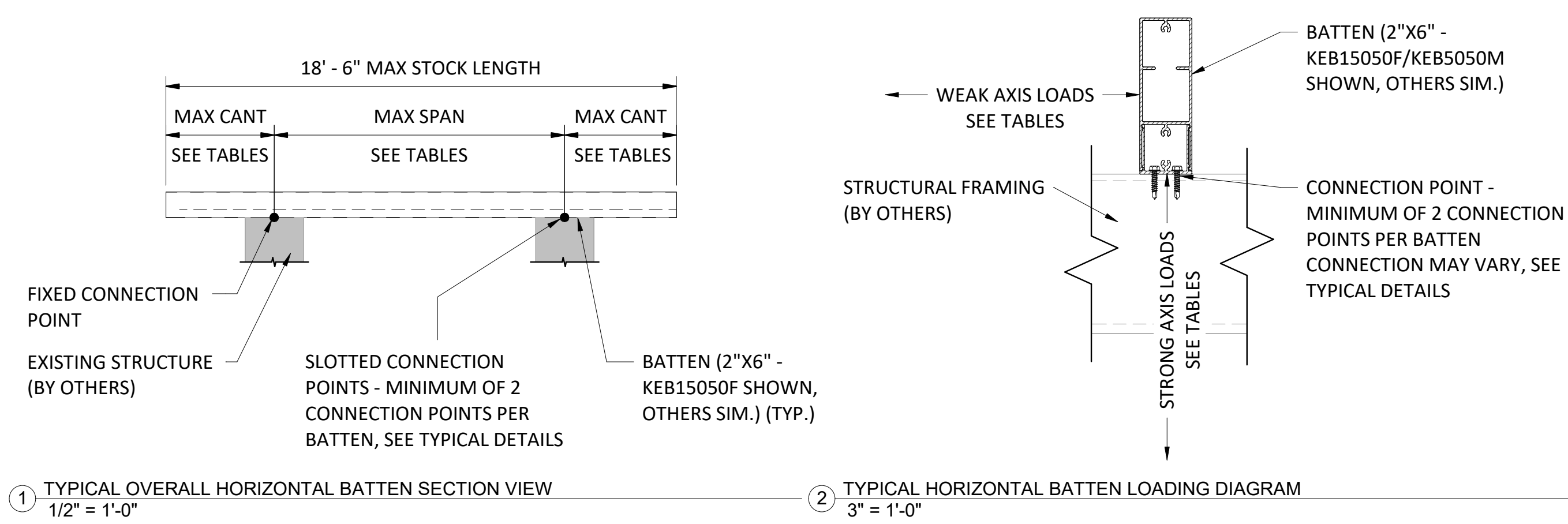
PLAN REVISIONS		
NO.	DATE	DESCRIPTION

SITUATED IN: N/A

PROJECT NAME:
KNOTWOOD
GENERIC BATTENS
SHOP DRAWINGS

DRAWING NAME:
VERTICAL BATTEN CONNECTION DETAILS

PROJECT NO: 2110314 DRAWING NO: A-101



2X2 (KEB5050M/KEB5050F) SIMPLY SUPPORTED BATTEN SPAN TABLE¹²³

MAX SPAN	MAX STRONG AXIS LOADS ²		MAX WEAK AXIS LOAD ²	
	DISTRIBUTED	POINT	DISTRIBUTED	POINT
8'-0"	80 PLF	325 LBS	80 PLF	325 LBS
9'-0"	63 PLF	285 LBS	63 PLF	290 LBS
10'-0"	46 PLF	255 LBS	46 PLF	260 LBS
11'-0"	34 PLF	230 LBS	34 PLF	235 LBS
12'-0"	26 PLF	200 LBS	26 PLF	200 LBS
13'-0"	21 PLF	170 LBS	21 PLF	170 LBS
14'-0"	16 PLF	145 LBS	16 PLF	145 LBS
15'-0"	13 PLF	125 LBS	13 PLF	125 LBS
16'-0"	11 PLF	110 LBS	11 PLF	110 LBS
17'-0"	9 PLF	100 LBS	9 PLF	100 LBS

2X2 (KEB5050M/KEB5050F) CANTILEVERED BATTEN SPAN TABLE¹²³

MAX CANTILEVER LENGTH	MAX STRONG AXIS LOADS ²		MAX WEAK AXIS LOAD ²	
	DISTRIBUTED	POINT	DISTRIBUTED	POINT
2'-0"	330 PLF	330 LBS	325 PLF	325 LBS
3'-0"	146 PLF	215 LBS	143 PLF	215 LBS
4'-0"	81 PLF	160 LBS	80 PLF	160 LBS
5'-0"	51 PLF	130 LBS	51 PLF	130 LBS
6'-0"	35 PLF	100 LBS	35 PLF	100 LBS
7'-0"	25 PLF	70 LBS	25 PLF	70 LBS

1. CONNECTIONS SHALL BE VERIFIED BY EOR AND MAY CONTROL SPAN
2. MAXIMUM ASD FACTORED LOADS ALLOWED FOR SPAN AS DEFINED BY ASCE 7
3. MAXIMUM DEFLECTION OF L/60 FOR ALUMINUM MEMBERS PER IBC CONSIDERED

1. CONNECTIONS SHALL BE VERIFIED BY EOR AND MAY CONTROL SPAN
2. MAXIMUM ASD FACTORED LOADS ALLOWED FOR SPAN AS DEFINED BY ASCE 7
3. MAXIMUM DEFLECTION OF L/60 FOR ALUMINUM MEMBERS PER IBC CONSIDERED

2X4 (KEB5050M/KEB10050F) SIMPLY SUPPORTED BATTEN SPAN TABLE¹²³

MAX SPAN	MAX STRONG AXIS LOADS ²		MAX WEAK AXIS LOAD ²	
	DISTRIBUTED	POINT	DISTRIBUTED	POINT
8'-0"	196 PLF	785 LBS	145 PLF	580 LBS
9'-0"	154 PLF	695 LBS	112 PLF	515 LBS
10'-0"	125 PLF	625 LBS	82 PLF	460 LBS
11'-0"	103 PLF	565 LBS	61 PLF	420 LBS
12'-0"	86 PLF	515 LBS	47 PLF	355 LBS
13'-0"	73 PLF	475 LBS	37 PLF	300 LBS
14'-0"	62 PLF	445 LBS	29 PLF	260 LBS
15'-0"	54 PLF	405 LBS	24 PLF	225 LBS
16'-0"	47 PLF	380 LBS	20 PLF	200 LBS
17'-0"	42 PLF	355 LBS	16 PLF	175 LBS

1. CONNECTIONS SHALL BE VERIFIED BY EOR AND MAY CONTROL SPAN
2. MAXIMUM ASD FACTORED LOADS ALLOWED FOR SPAN AS DEFINED BY ASCE 7
3. MAXIMUM DEFLECTION OF L/60 FOR ALUMINUM MEMBERS PER IBC CONSIDERED

2X4 (KEB5050M/KEB10050F) CANTILEVERED BATTEN SPAN TABLE¹²³

MAX CANTILEVER LENGTH	MAX STRONG AXIS LOADS ²		MAX WEAK AXIS LOAD ²	
	DISTRIBUTED	POINT	DISTRIBUTED	POINT
2'-0"	791 PLF	790 LBS	585 PLF	585 LBS
3'-0"	350 PLF	525 LBS	259 PLF	385 LBS
4'-0"	196 PLF	390 LBS	145 PLF	290 LBS
5'-0"	125 PLF	310 LBS	92 PLF	230 LBS
6'-0"	86 PLF	255 LBS	63 PLF	175 LBS
7'-0"	62 PLF	220 LBS	46 PLF	130 LBS

1. CONNECTIONS SHALL BE VERIFIED BY EOR AND MAY CONTROL SPAN
2. MAXIMUM ASD FACTORED LOADS ALLOWED FOR SPAN AS DEFINED BY ASCE 7
3. MAXIMUM DEFLECTION OF L/60 FOR ALUMINUM MEMBERS PER IBC CONSIDERED

2X6 (KEB5050M/KEB15050F) SIMPLY SUPPORTED BATTEN SPAN TABLE¹²³

MAX SPAN	MAX STRONG AXIS LOADS ²		MAX WEAK AXIS LOAD ²	
	DISTRIBUTED	POINT	DISTRIBUTED	POINT
8'-0"	418 PLF	1670 LBS	205 PLF	820 LBS
9'-0"	329 PLF	1480 LBS	159 PLF	730 LBS
10'-0"	266 PLF	1330 LBS	116 PLF	655 LBS
11'-0"	219 PLF	1210 LBS	87 PLF	595 LBS
12'-0"	184 PLF	1105 LBS	67 PLF	500 LBS
13'-0"	156 PLF	1015 LBS	52 PLF	425 LBS
14'-0"	134 PLF	955 LBS	42 PLF	370 LBS
15'-0"	117 PLF	875 LBS	34 PLF	320 LBS
16'-0"	102 PLF	820 LBS	28 PLF	280 LBS
17'-0"	90 PLF	770 LBS	23 PLF	250 LBS

1. CONNECTIONS SHALL BE VERIFIED BY EOR AND MAY CONTROL SPAN
2. MAXIMUM ASD FACTORED LOADS ALLOWED FOR SPAN AS DEFINED BY ASCE 7
3. MAXIMUM DEFLECTION OF L/60 FOR ALUMINUM MEMBERS PER IBC CONSIDERED

2X6 (KEB5050M/KEB15050F) CANTILEVERED BATTEN SPAN TABLE¹²³

MAX CANTILEVER LENGTH	MAX STRONG AXIS LOADS ²		MAX WEAK AXIS LOAD ²	
	DISTRIBUTED	POINT	DISTRIBUTED	POINT
2'-0"	1680 PLF	1680 LBS	829 PLF	825 LBS
3'-0"	745 PLF	1115 LBS	367 PLF	550 LBS
4'-0"	418 PLF	835 LBS	205 PLF	410 LBS
5'-0"	266 PLF	665 LBS	130 PLF	325 LBS
6'-0"	184 PLF	550 LBS	89 PLF	270 LBS
7'-0"	134 PLF	470 LBS	65 PLF	225 LBS

1. CONNECTIONS SHALL BE VERIFIED BY EOR AND MAY CONTROL SPAN
2. MAXIMUM ASD FACTORED LOADS ALLOWED FOR SPAN AS DEFINED BY ASCE 7
3. MAXIMUM DEFLECTION OF L/60 FOR ALUMINUM MEMBERS PER IBC CONSIDERED

2X8 (KEB5050M/KEB20050F) SIMPLY SUPPORTED BATTEN SPAN TABLE¹²³

MAX SPAN	MAX STRONG AXIS LOADS ²		MAX WEAK AXIS LOAD ²	
	DISTRIBUTED	POINT	DISTRIBUTED	POINT
8'-0"	651 PLF	2605 LBS	266 PLF	1065 LBS
9'-0"	514 PLF	2310 LBS	206 PLF	945 LBS
10'-0"	415 PLF	2075 LBS	150 PLF	850 LBS
11'-0"	343 PLF	1885 LBS	113 PLF	775 LBS
12'-0"	287 PLF	1725 LBS	87 PLF	650 LBS
13'-0"	244 PLF	1590 LBS	68 PLF	555 LBS
14'-0"	210 PLF	1485 LBS	54 PLF	475 LBS
15'-0"	183 PLF	1370 LBS	44 PLF	415 LBS
16'-0"	160 PLF	1280 LBS	36 PLF	365 LBS
17'-0"	141 PLF	1205 LBS	30 PLF	325 LBS

1. CONNECTIONS SHALL BE VERIFIED BY EOR AND MAY CONTROL SPAN
2. MAXIMUM ASD FACTORED LOADS ALLOWED FOR SPAN AS DEFINED BY ASCE 7
3. MAXIMUM DEFLECTION OF L/60 FOR ALUMINUM MEMBERS PER IBC CONSIDERED

2X8 (KEB5050M/KEB20050F) CANTILEVERED BATTEN SPAN TABLE¹²³

MAX CANTILEVER LENGTH	MAX STRONG AXIS LOADS ²		MAX WEAK AXIS LOAD ²	
	DISTRIBUTED	POINT	DISTRIBUTED	POINT
2'-0"	2615 PLF	2615 LBS	1074 PLF	1070 LBS
3'-0"	1160 PLF	1740 LBS	475 PLF	710 LBS
4'-0"	651 PLF	1300 LBS	266 PLF	530 LBS
5'-0"	415 PLF	1035 LBS	169 PLF	465 LBS
6'-0"	287 PLF	860 LBS	116 PLF	325 LBS
7'-0"	210 PLF	735 LBS	84 PLF	235 LBS

1. CONNECTIONS SHALL BE VERIFIED BY EOR AND MAY CONTROL SPAN
2. MAXIMUM ASD FACTORED LOADS ALLOWED FOR SPAN AS DEFINED BY ASCE 7
3. MAXIMUM DEFLECTION OF L/60 FOR ALUMINUM MEMBERS PER IBC CONSIDERED

PREPARED FOR:
OMNIMAX
INTERNATIONAL
30 TECHNOLOGY PKWY S. SUITE 400/600
PEACHTREE CORNERS, GA 30092

This plan has been prepared solely for benefit of the person(s) named above and for project noted on this drawing. The use of this plan by any third party, or for any other purpose other than specified, is prohibited without written consent from PEG, LLC.

DATE ISSUED: 2/8/2023

PLAN REVISIONS

NO.	DATE	DESCRIPTION

SITUATED IN: N/A

PROJECT NAME:

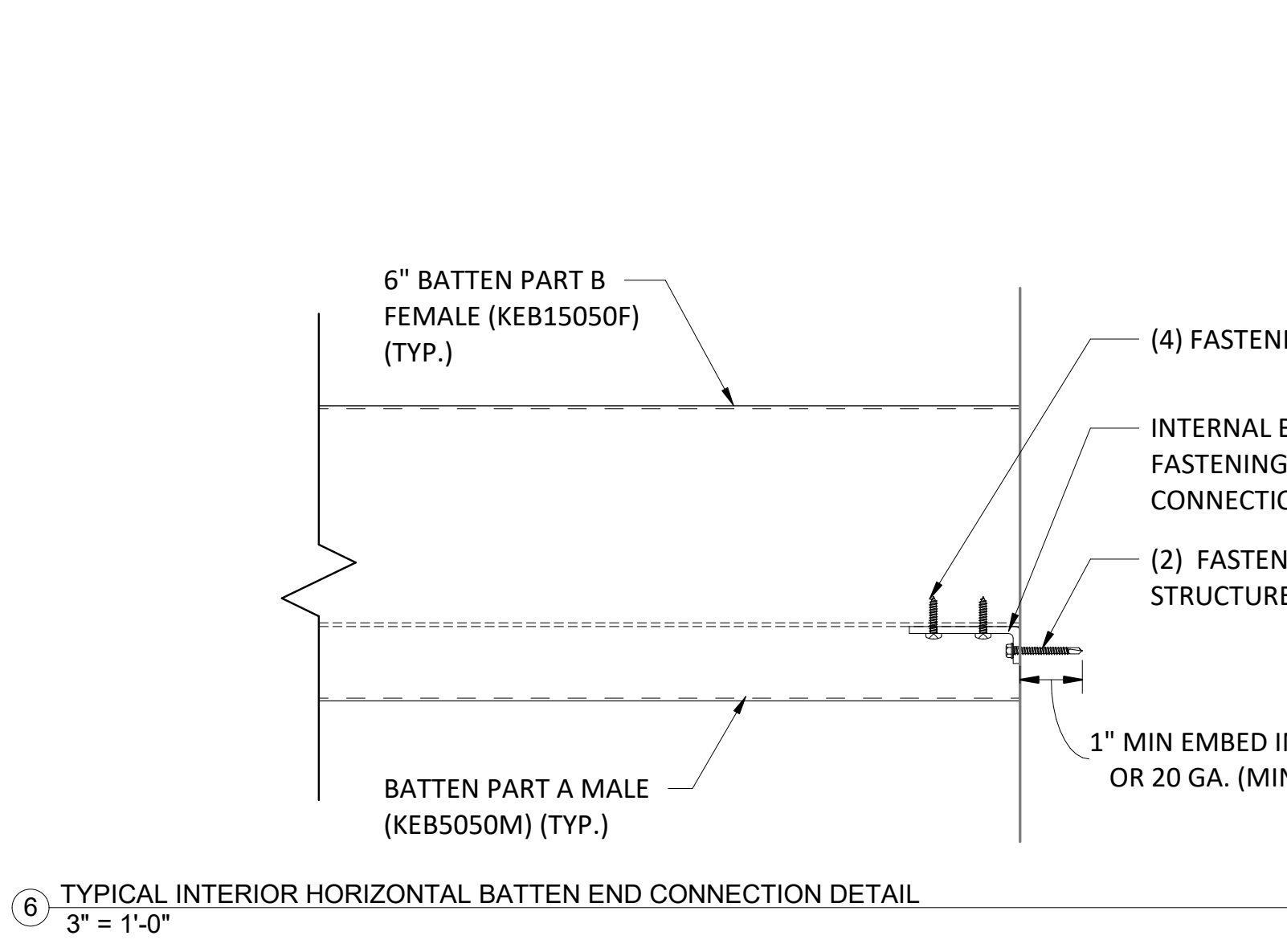
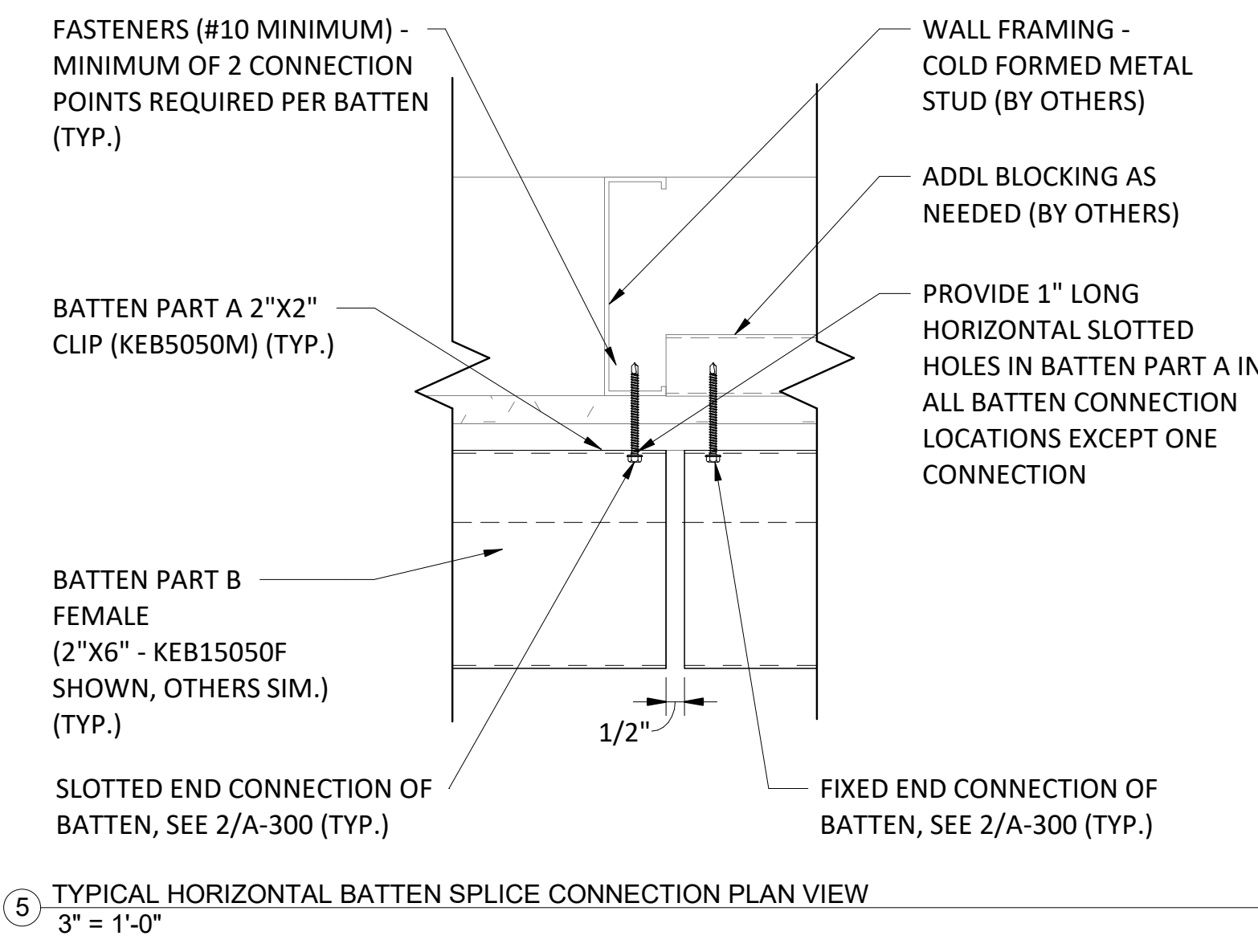
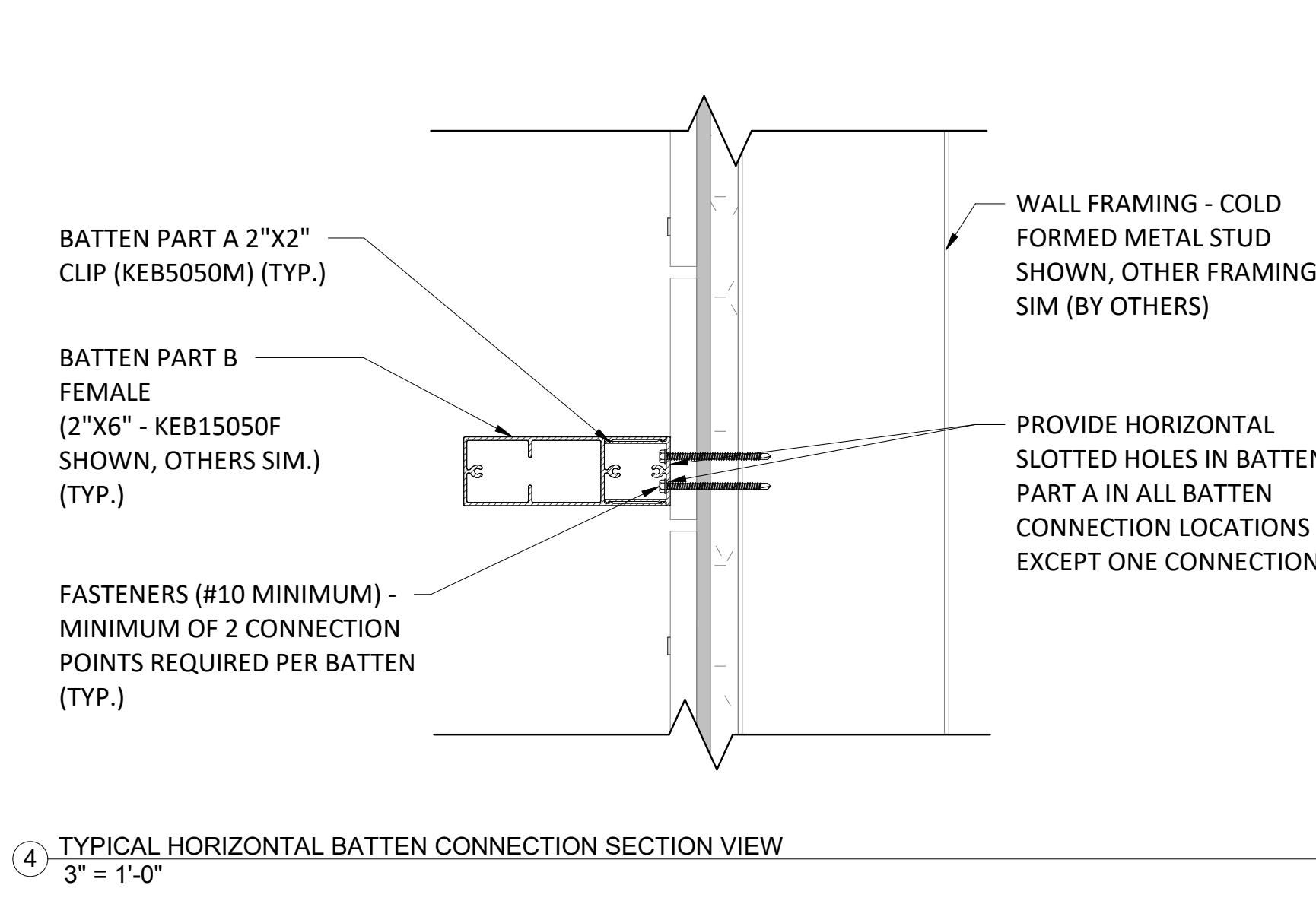
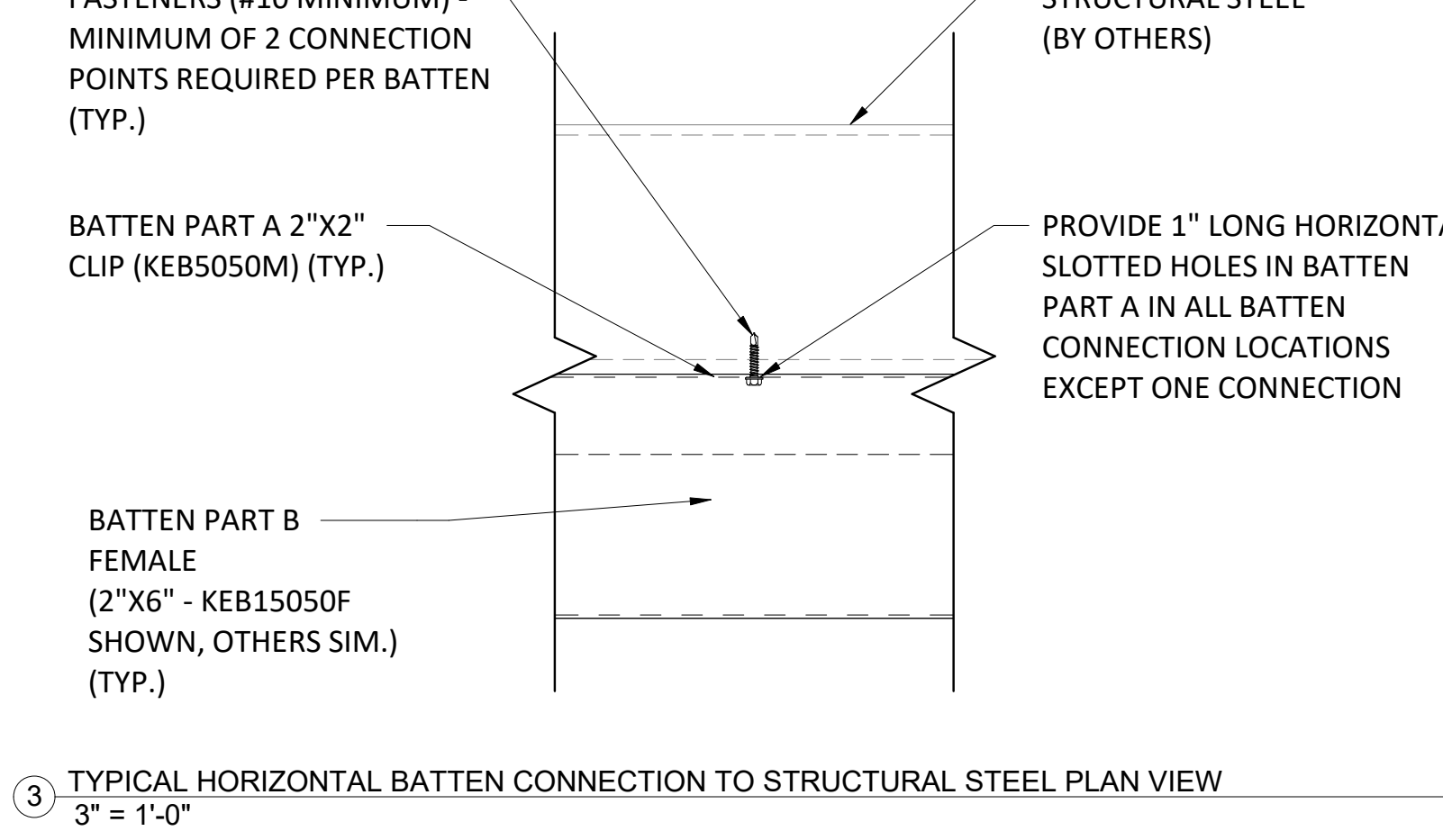
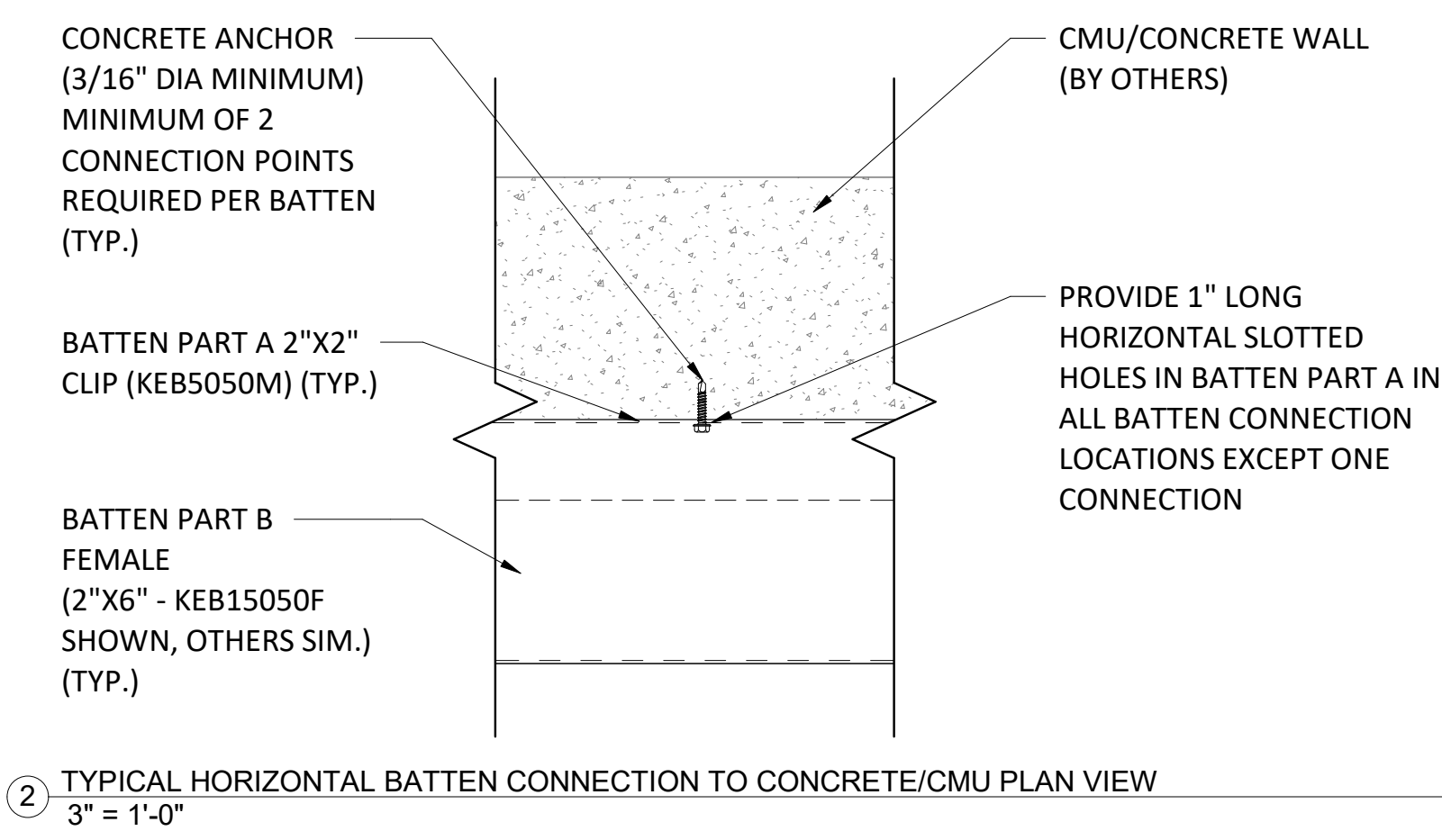
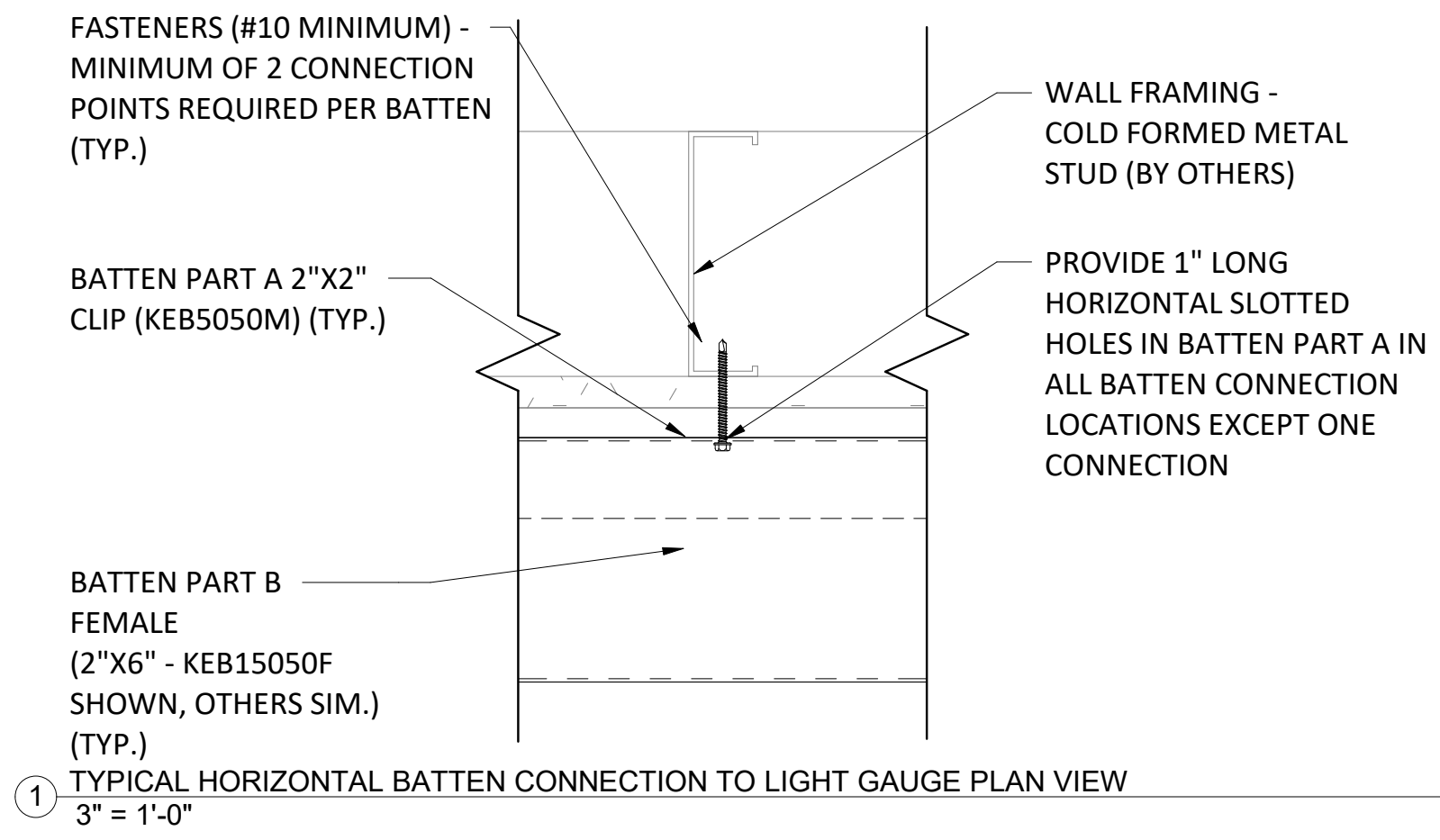
KNOTWOOD
GENERIC BATTENS
SHOP DRAWINGS

DRAWING NAME:

HORIZONTAL BATTEN
SPAN TABLES

PROJECT NO:
2110314

DRAWING NO:
A-200



PREPARED FOR:
OMNIMAX INTERNATIONAL
 30 TECHNOLOGY PKWY S. SUITE 400/600
 PEACHTREE CORNERS, GA 30092

This plan has been prepared solely for benefit of the person(s) named above and for project noted on this drawing. The use of this plan by any third party, or for any other purpose other than specified, is prohibited without written consent from P&E, LLC.

DATE ISSUED: 2/8/2023

PLAN REVISIONS		
NO.	DATE	DESCRIPTION

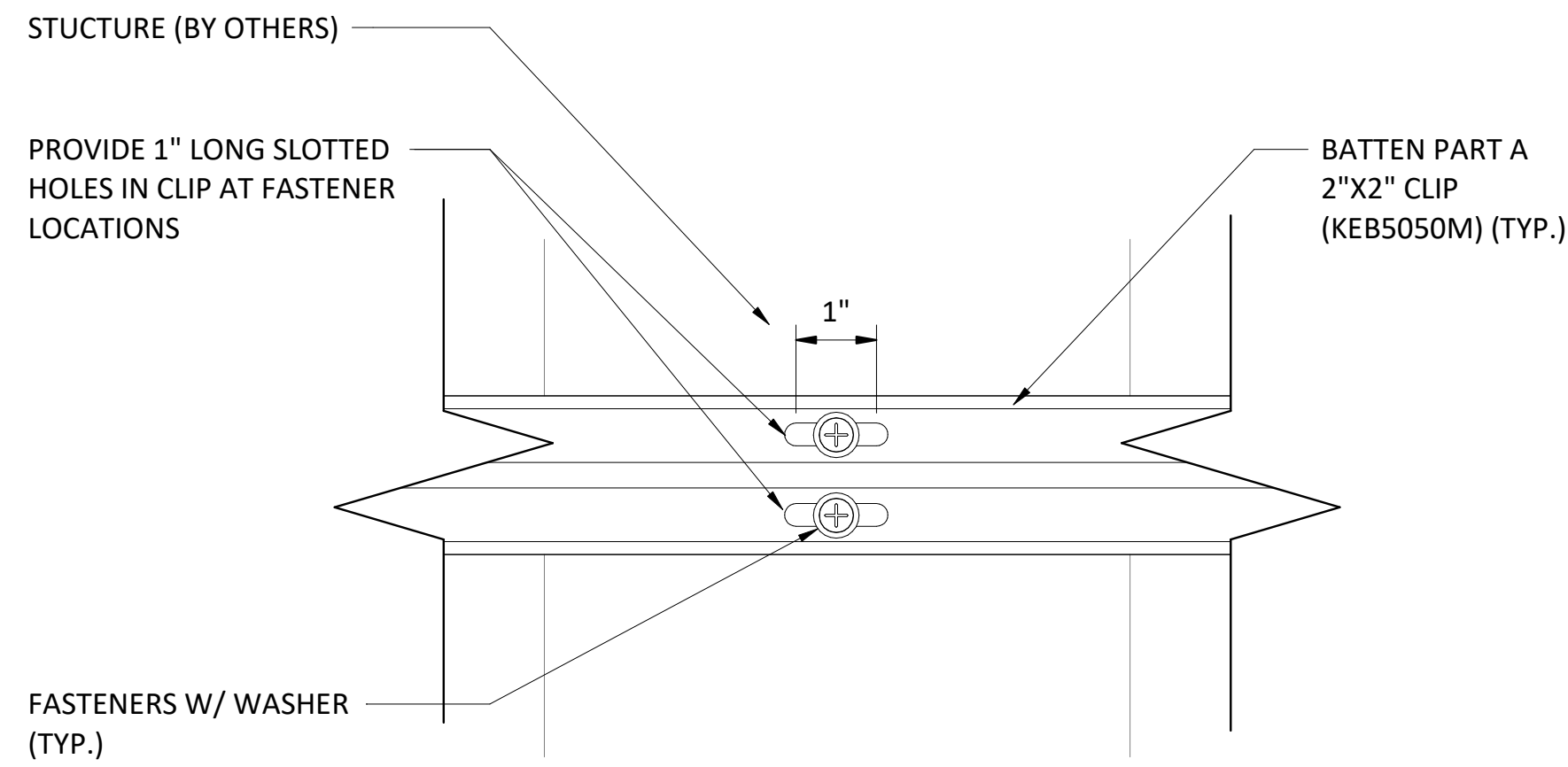
SITUATED IN: N/A

PROJECT NAME:
KNOTWOOD™
GENERIC BATTENS
SHOP DRAWINGS

DRAWING NAME:
HORIZONTAL BATTEN
CONNECTION DETAILS

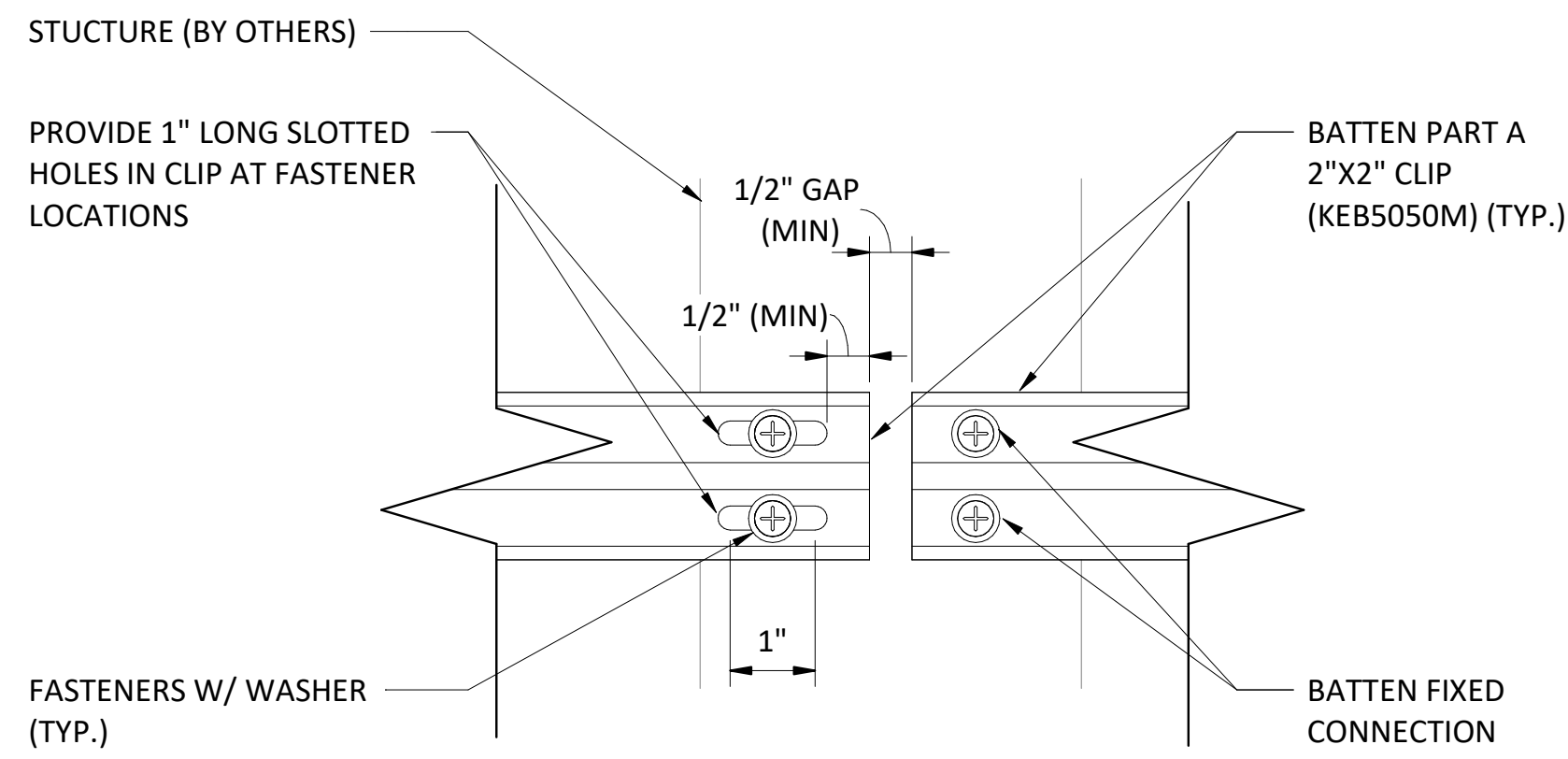
PROJECT NO: 2110314 DRAWING NO: A-201

NOTE:
BATTEN PART B FEMALE NOT SHOWN FOR CLARITY

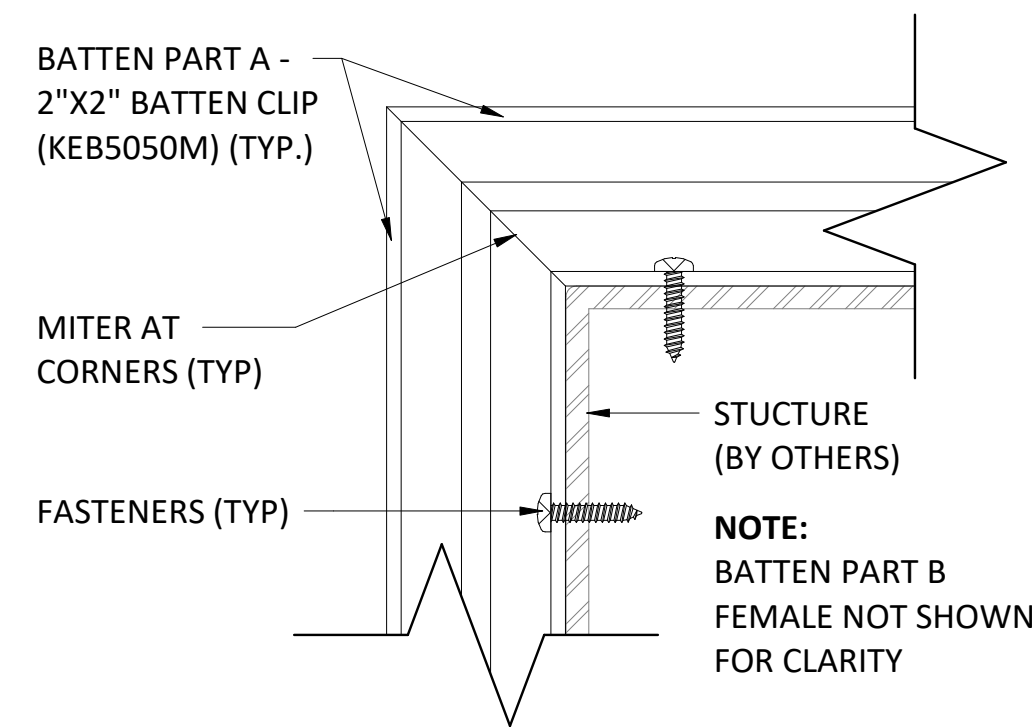


① TYPICAL BATTEN PART A (2"X2" CLIP) SLOTTED HOLE DETAIL
6" = 1'-0"

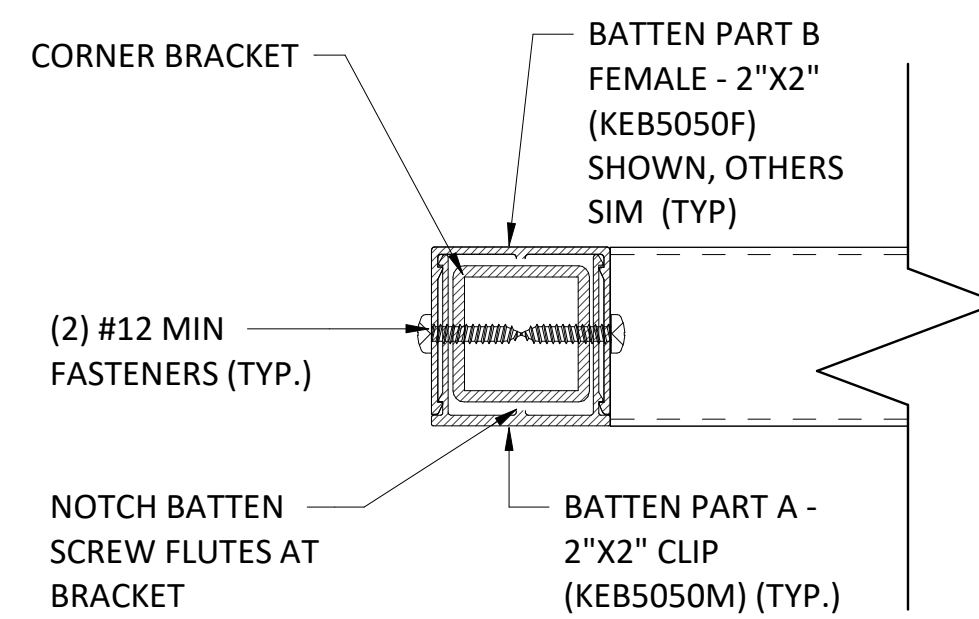
NOTE:
BATTEN PART B FEMALE NOT SHOWN FOR CLARITY



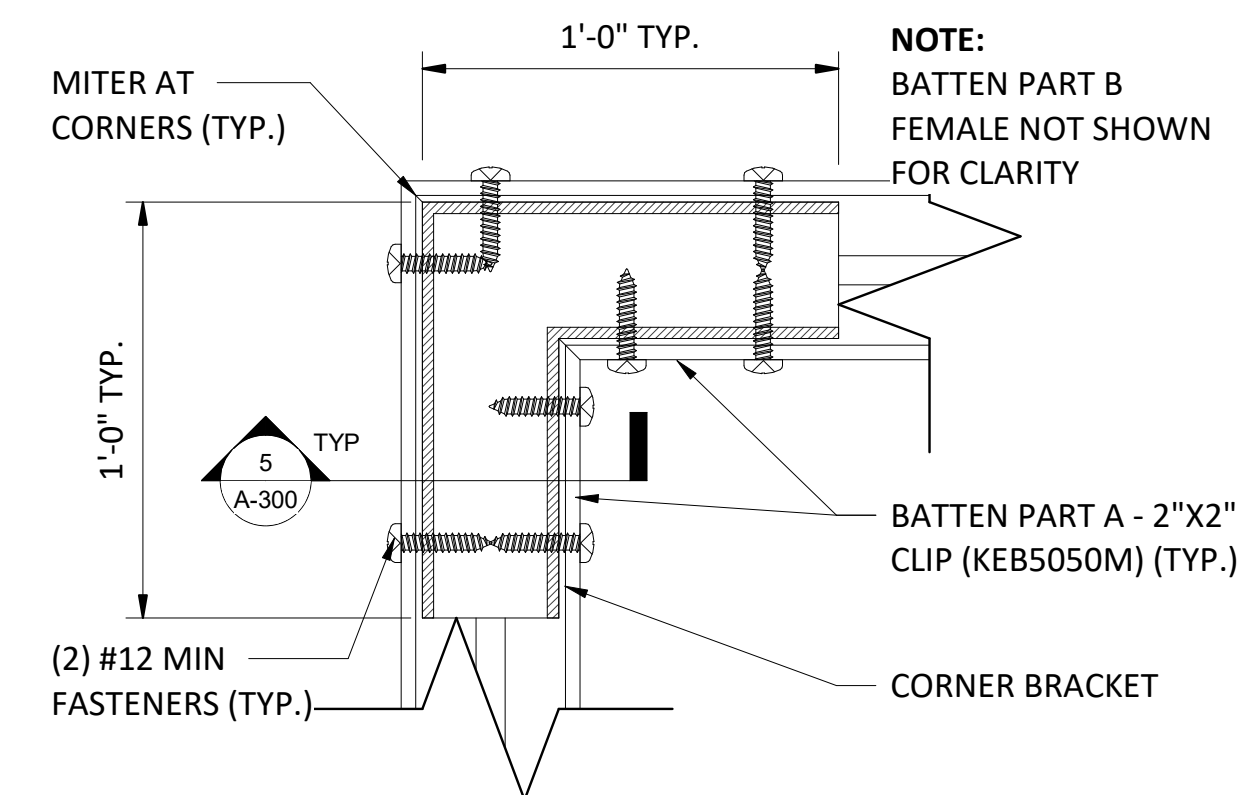
② TYPICAL BATTEN PART A (2"X2" CLIP) SLOTTED HOLE END CONNECTION DETAIL
6" = 1'-0"



④ TYPICAL BATTEN CORNER SPLICE DETAIL I
6" = 1'-0"



⑤ TYPICAL BATTEN CORNER SPLICE W/ CORNER BRACKET DETAIL I
6" = 1'-0"



⑥ TYPICAL BATTEN CORNER SPLICE W/ CORNER BRACKET DETAIL II
6" = 1'-0"

PREPARED FOR:
OMNIMAX INTERNATIONAL
30 TECHNOLOGY PKWY S. SUITE 400/600
PEACHTREE CORNERS, GA 30092

This plan has been prepared solely for benefit of the person(s) named above and for project noted on this drawing. The use of this plan by any third party, or for any other purpose other than specified, is prohibited without written consent from PGE, LLC.

DATE ISSUED: 2/8/2023

PLAN REVISIONS		
NO.	DATE	DESCRIPTION

SITUATED IN: N/A

PROJECT NAME:
KNOTWOOD™
GENERIC BATTENS
SHOP DRAWINGS

DRAWING NAME:
MISC BATTEN CONNECTIONS

PROJECT NO: 2110314 | DRAWING NO: A-300